



Our *passion* is enclosures.



aluCLIC

Aluminium enclosures on snap-on device

Technical data

aluCLIC



Replacement in seconds



Enclosure front fully usable



Snap-on device



Click on instead of screw on



Lid screwed on rear side



More space for the electronics



Integrated recess for membrane keypads

Enclosure: Die-cast aluminium EN AN-44300 DIN EN 1706 (GD AL SI 12 / DIN 1725). 1° mould slope for casting ejection, internal measures diminishing circulatory towards enclosure bottom by 1°.

Integrated recess: In the lid for membrane keypad or front plates

Components: Fastening thread M5 in the bottom and lid

Ingress Protection: IP66 / EN 60529

Gasket: TPE moulded gasket, silicone-free (-40°C to +120°C)w

Lid screws: Stainless steel 1.4567 (V2A), captive

Snap-on device: Polyoxymethylene (POM), RAL 9005, deep black

Surface: Powder coating RAL 7035, light grey

Optionally available:

Gasket: Silicone gasket (-50°C to +140°C)
EMC gasket (-55°C to +160°C)

Ingress Protection: IP67 / EN 60529 - IP69K / DIN 40050

Surface: Corrosion protection, special colours

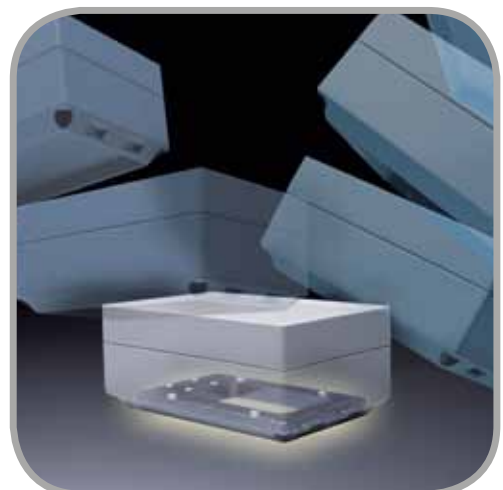
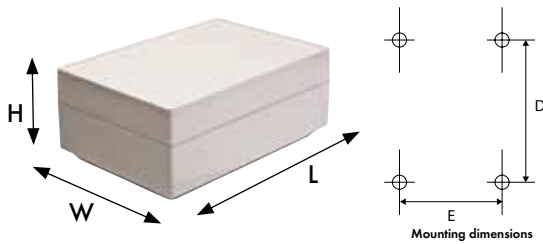
Further options see delivery overview.



Delivery overview aluCLIC											
Type	Mat. no.	L	W	H	D	E	g	M	L	EMC	69K
ACL 092	240.092.000	130	90	70	46	96	610	●	●	●	●
ACL 112	240.112.000	160	110	70	66	116	810	●	●	●	●
ACL 132	240.132.000	200	130	70	86	156	1070	●	●	●	●

□ Standard ● Available ○ Not available

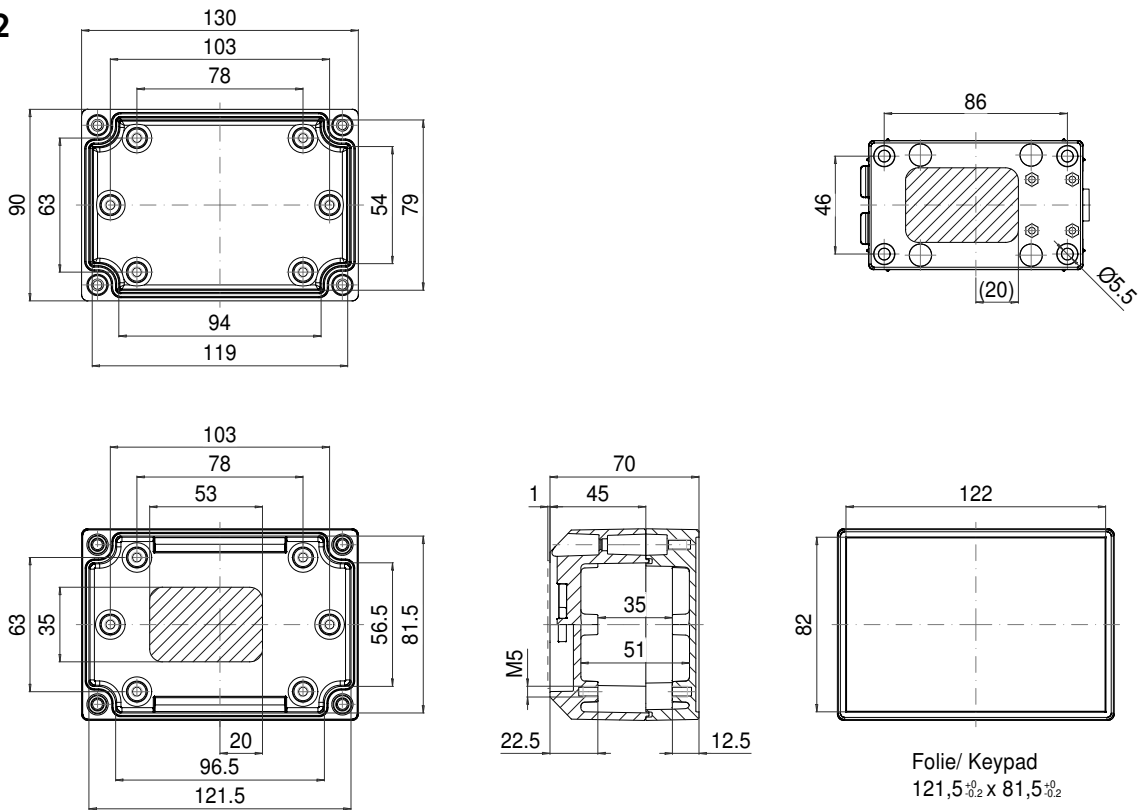
Approvals:



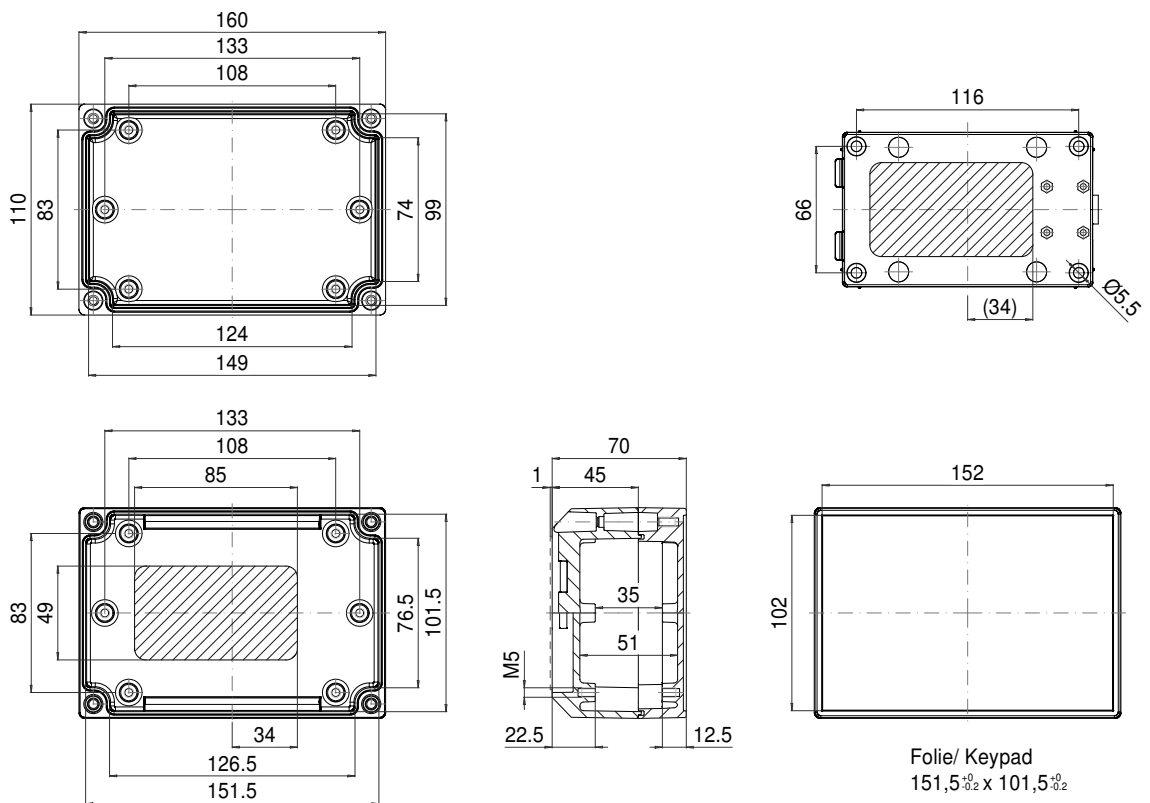
ROLEC Attachment and mounting dimensions

aluCLIC

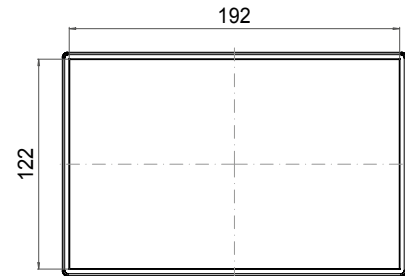
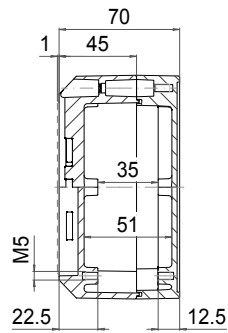
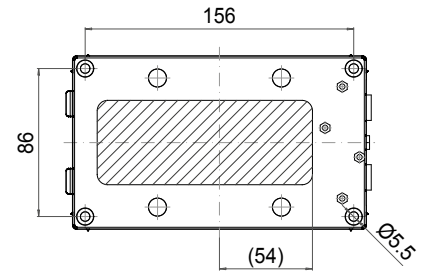
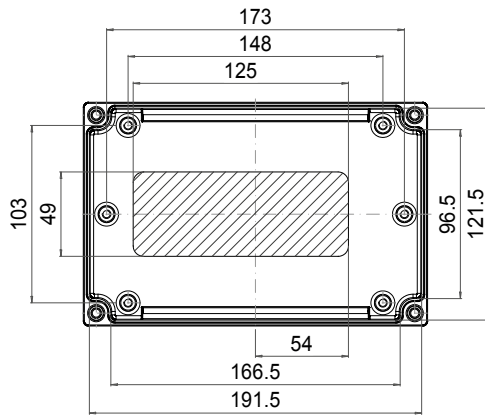
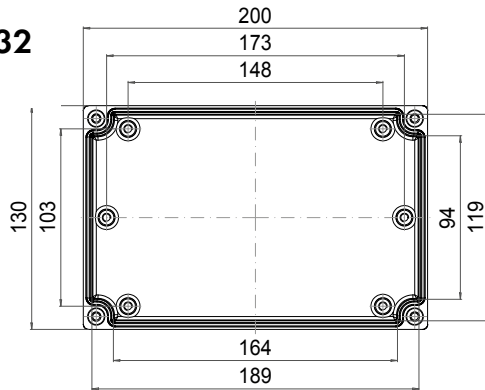
ACL 092



ACL 112



ACL 132



Folie/ Keypad
121,5⁺⁰/_{-0.2} x 191,5⁺⁰/_{-0.2}

