



Our *passion* is enclosures.



aluKOM

Standard enclosures made of aluminium

Technical data

aluKOM



Compatible with conventional brands



Hinge



External mounting feet V2A



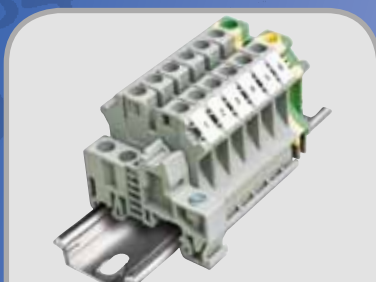
Hold hinge



Internal hinge V2A



Lid support



Mounting rail and terminals

Enclosure: Die-cast aluminium EN AN-44300 DIN EN 1706 (GD AL SI 12 / DIN 1725). 1° mould slope for casting ejection, internal measures diminishing circulatory towards enclosure bottom by 1°.

Components: Fastening threads M4/M6 in the enclosure bottom.

Fastening: Separate screw holes.

Ingress protection: IP66 / EN 60529

Gasket: TPE moulded gasket, silicon-free (-40°C to +120°C)
Chloroprene (CR) gasket (-30°C to +90°C)

Lid screws: Stainless steel 1.4567 (V2A), captive

Surface: Powder coating RAL 7032, silky grey

Optionally available:

External mounting feet: Stainless steel 1.4305 (V2A)

Mounting plates: Sheet steel, galvanised

Gasket: Silicon gasket (-50°C to +140°C)
EMC gasket (-55°C to +160°C)

Surface: Corrosion protection, special colours

Further options, see delivery overview.

Delivery overview aluKOM

Type	Mat. no.	L	W	H	D	E	g	M	D	A	L	T	HS	IS	S	DH	EMC
AK 060	106.060.000	50	45	30	40	35	80	○	●	○	●	●	○	○	○	○	○
* AK 061	106.061.000	58	64	36	46	36	160	○	●	○	●	●	●	○	○	○	○
* AK 062	106.062.000	98	64	36	86	36	220	○	●	○	●	●	●	○	○	○	○
* AK 063	106.063.000	150	64	36	138	36	340	○	●	○	●	●	●	○	○	○	○
* AK 081	106.081.000	75	80	57	63	52	290	●	●	○	●	●	●	○	○	○	●
* AK 082	106.082.000	125	80	57	113	52	440	●	●	○	●	●	●	○	○	○	●
* AK 083	106.083.000	175	80	57	163	52	530	●	●	○	●	●	●	○	○	○	●
AK 084	106.084.000	250	80	57	238	52	720	●	●	○	●	●	●	○	○	○	●
* AK 120	106.120.000	122	120	81	106	82	950	●	●	●	●	●	●	●	○	●	●
* AK 121	106.121.000	122	120	91	106	82	970	●	●	●	●	●	●	●	○	●	●
* AK 122	106.122.000	220	120	81	204	82	1.420	●	●	●	●	●	●	●	○	●	●
* AK 123	106.123.000	220	120	91	204	82	1.450	●	●	●	●	●	●	●	○	●	●
AK 124	106.124.000	360	120	81	344	82	1.860	●	●	●	●	●	●	●	○	●	●
* AK 161	106.161.000	160	160	90	140	110	1.410	●	●	●	●	●	●	●	●	●	●
* AK 162	106.162.000	260	160	90	240	110	1.950	●	●	●	●	●	●	●	●	●	●
AK 163	106.163.000	360	160	90	340	110	2.540	●	●	●	●	●	●	●	●	●	●
AK 164	106.164.000	560	160	90	540	110	4.310	●	●	●	●	●	●	●	●	●	●
AK 231	106.231.000	200	230	110	180	180	2.720	●	●	●	●	●	●	●	●	●	●
AK 232	106.232.000	280	230	110	260	180	3.850	●	●	●	●	●	●	●	●	●	●
AK 233	106.233.000	330	230	110	310	180	4.270	●	●	●	●	●	●	●	●	●	●
AK 234	106.234.000	400	230	110	380	180	4.880	●	●	●	●	●	●	●	●	●	●
AK 235	106.235.000	600	230	110	580	180	6.380	●	●	●	●	●	●	●	●	●	●
AK 311	106.311.000	402,5	310	110	382	261	6.300	●	●	●	●	●	●	●	●	●	●
AK 312	106.312.000	600	310	110	580	261	8.480	●	●	●	●	●	●	●	●	●	●

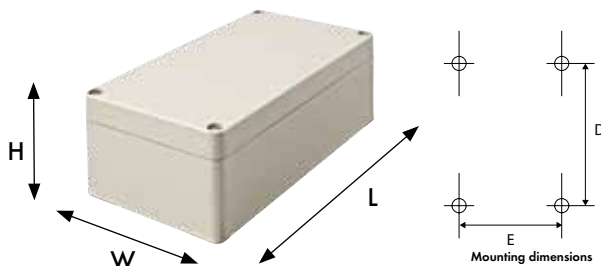
* TPE moulded gasket

□ Standard ● Available ○ Not available

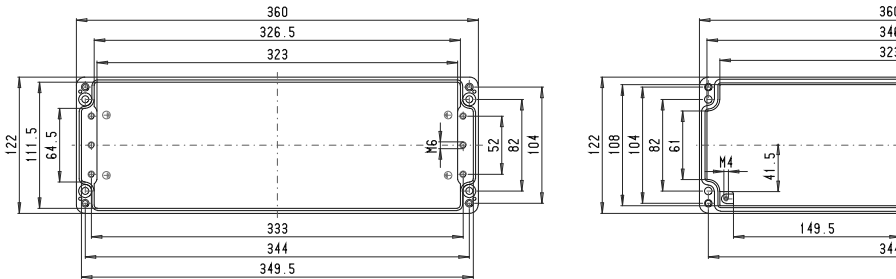
Approvals:



Extended approvals:



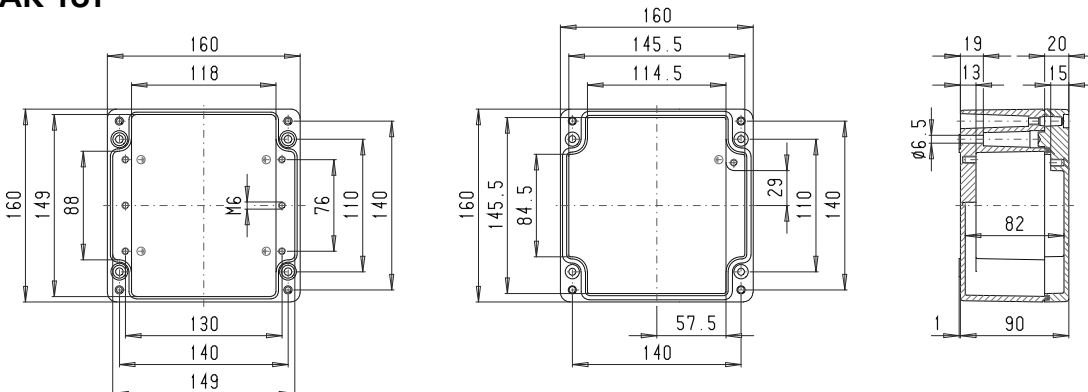
AK 124



Maximum number of cable glands per enclosure side

A		A/B/C/D	
C	D		
B		PG 7	38 3
M 16		PG 9	34 8
		PG 11	26 6
M 20		PG 13,5	24 4
		PG 16	20 4
M 25		PG 21	9 2
M 32		PG 29	6 1
M 40		PG 36	1
M 50		PG 42	
M 63		PG 48	

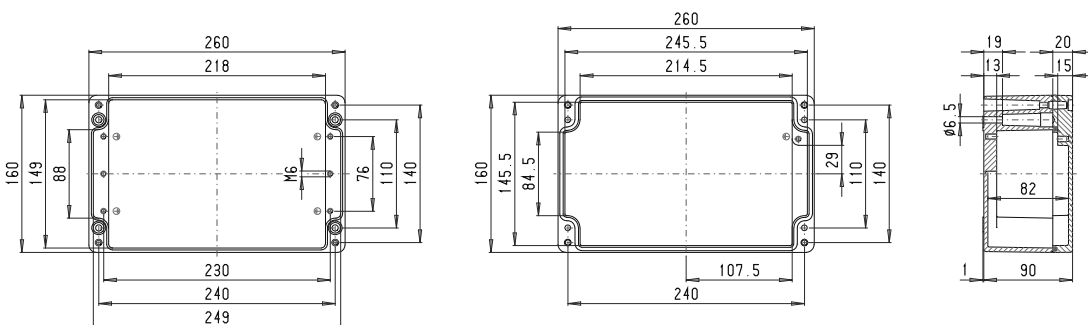
AK 161



Maximum number of cable glands per enclosure side

A		A/B/C/D	
C	D		
B		PG 7	21 12
M 16		PG 9	15 8
		PG 11	10 6
M 20		PG 13,5	10 6
		PG 16	8 5
M 25		PG 21	4 2
M 32		PG 29	2 2
M 40		PG 36	2 1
M 50		PG 42	1
M 63		PG 48	

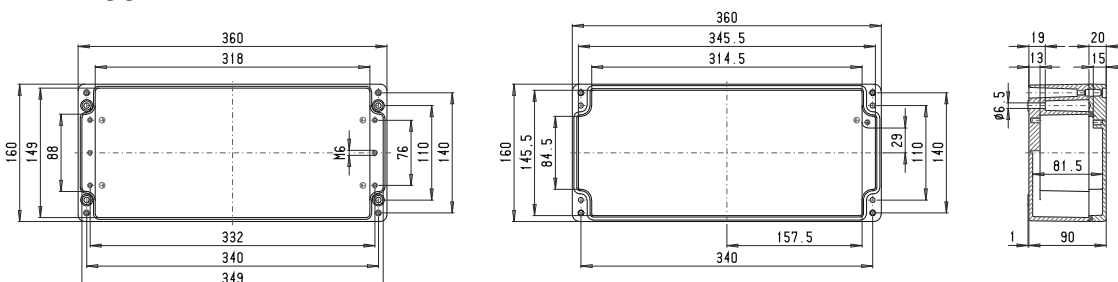
AK162



Maximum number of cable glands per enclosure side

A		A/B/C/D	
C	D		
B		PG 7	36 12
M 16		PG 9	30 8
		PG 11	18 6
M 20		PG 13,5	18 6
		PG 16	14 5
M 25		PG 21	7 2
M 32		PG 29	4 2
M 40		PG 36	3 1
M 50		PG 42	3
M 63		PG 48	

AK 163



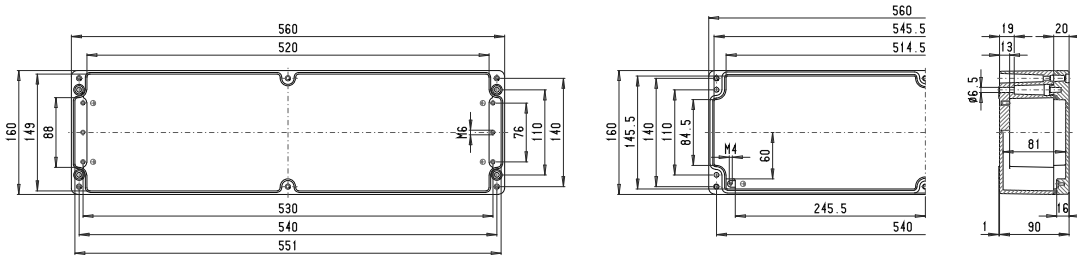
Maximum number of cable glands per enclosure side

A		A/B/C/D	
C	D		
B		PG 7	54 12
M 16		PG 9	42 8
		PG 11	28 6
M 20		PG 13,5	26 6
		PG 16	20 5
M 25		PG 21	10 2
M 32		PG 29	6 2
M 40		PG 36	5 1
M 50		PG 42	4
M 63		PG 48	

ROLEC Attachment and mounting dimensions

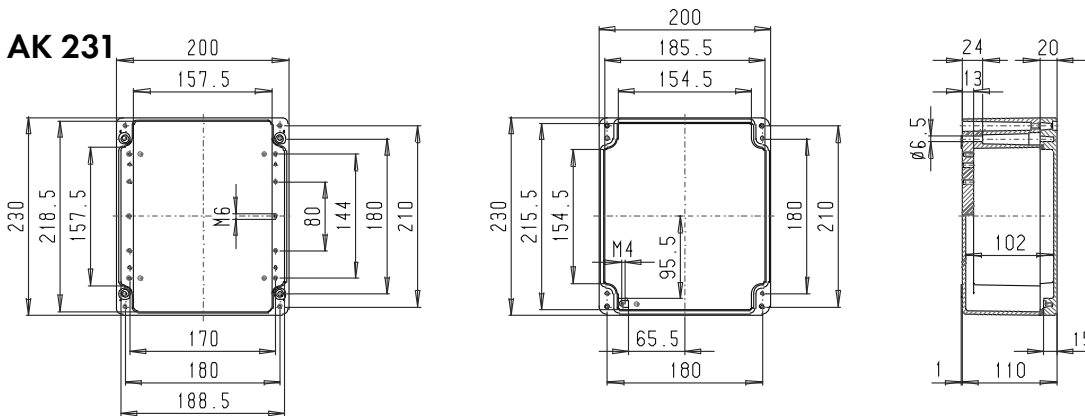
aluKOM

AK 164



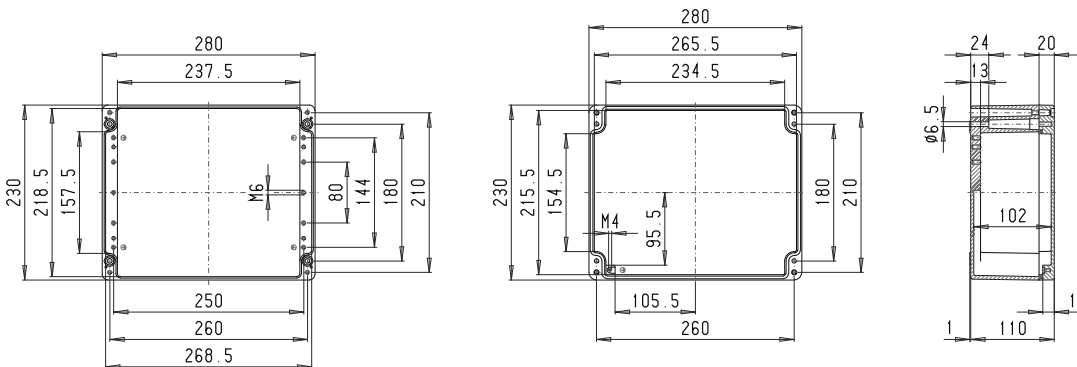
Maximum number of cable glands per enclosure side			
A	B	C/D	A/B/C/D
M 16	PG 7	84	12
	PG 9	66	8
	PG 11	44	6
M 20	PG 13,5	40	6
	PG 16	32	5
M 25	PG 21	16	2
M 32	PG 29	10	2
M 40	PG 36	8	1
M 50	PG 42	6	
M 63	PG 48		

AK 231



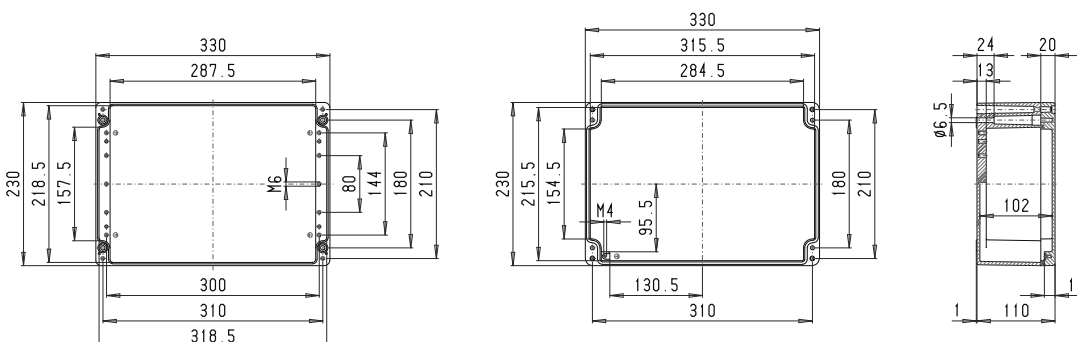
Maximum number of cable glands per enclosure side			
A	B	C/D	A/B/C/D
M 16	PG 7	36	32
	PG 9	28	24
	PG 11	21	18
M 20	PG 13,5	18	12
	PG 16	10	10
M 25	PG 21	8	8
M 32	PG 29	4	4
M 40	PG 36	3	3
M 50	PG 42	2	2
M 63	PG 48	2	2

AK 232



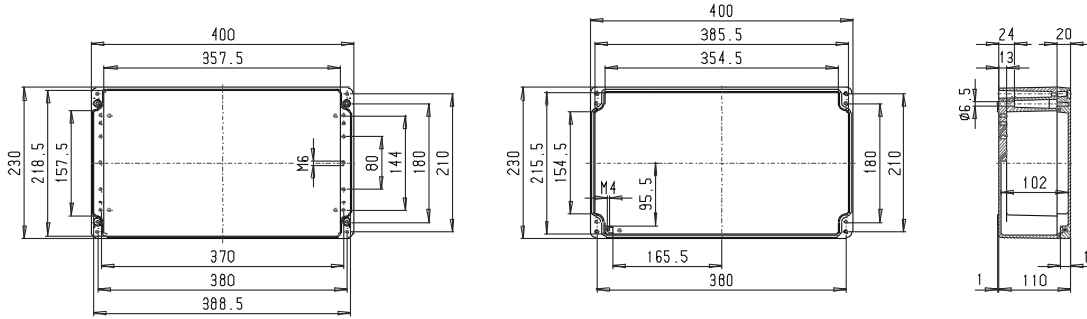
Maximum number of cable glands per enclosure side			
A	B	C/D	A/B/C/D
M 16	PG 7	52	32
	PG 9	36	24
	PG 11	30	18
M 20	PG 13,5	27	12
	PG 16	16	10
M 25	PG 21	12	8
M 32	PG 29	6	4
M 40	PG 36	4	2
M 50	PG 42	3	2
M 63	PG 48	3	2

AK 233



Maximum number of cable glands per enclosure side			
A	B	C/D	A/B/C/D
M 16	PG 7	64	32
	PG 9	52	24
	PG 11	36	18
M 20	PG 13,5	33	12
	PG 16	29	10
M 25	PG 21	14	8
M 32	PG 29	7	3
M 40	PG 36	5	2
M 50	PG 42	4	2
M 63	PG 48	4	2

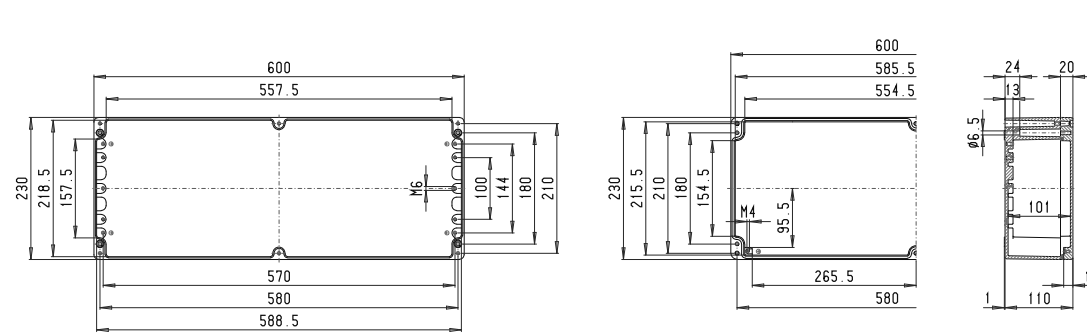
AK 234



Maximum number of cable glands per enclosure side

A		A/B/C/D	
C	D	A	B/C/D
B		PG 7	80 32
M 16		PG 9	57 24
		PG 11	45 18
M 20		PG 13,5	39 12
		PG 16	26 10
M 25		PG 21	18 8
M 32		PG 29	10 4
M 40		PG 36	6 2
M 50		PG 42	5 2
M 63		PG 48	5 2

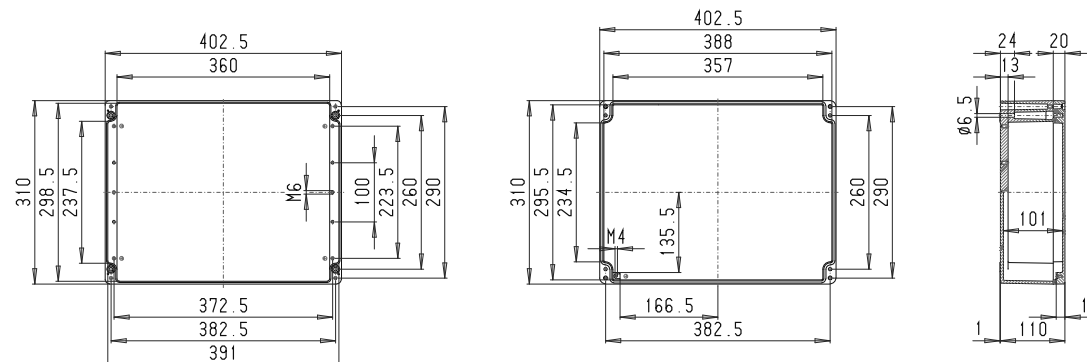
AK 235



Maximum number of cable glands per enclosure side

A		A/B/C/D	
C	D	A	B/C/D
B		PG 7	120 32
M 16		PG 9	96 24
		PG 11	66 18
M 20		PG 13,5	60 12
		PG 16	36 10
M 25		PG 21	24 8
M 32		PG 29	14 3
M 40		PG 36	8 2
M 50		PG 42	8 2
M 63		PG 48	6 2

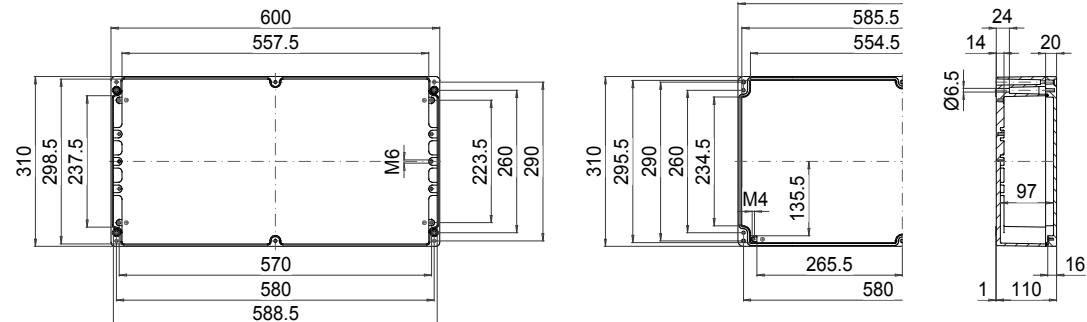
AK 311



Maximum number of cable glands per enclosure side

A		A/B/C/D	
C	D	A	B/C/D
B		PG 7	76 42
M 16		PG 9	57 36
		PG 11	45 27
M 20		PG 13,5	39 20
		PG 16	26 16
M 25		PG 21	18 12
M 32		PG 29	10 5
M 40		PG 36	6 4
M 50		PG 42	5 3
M 63		PG 48	3 3

AK 312



Maximum number of cable glands per enclosure side

A		A/B/C/D	
C	D	A	B/C/D
B		PG 7	120 42
M 16		PG 9	96 36
		PG 11	66 27
M 20		PG 13,5	60 20
		PG 16	36 16
M 25		PG 21	24 12
M 32		PG 29	14 5
M 40		PG 36	10 4
M 50		PG 42	8 3
M 63		PG 48	6 3

