



Our *passion* is enclosures.



polyTOP

Modular enclosures made of glass fibre reinforced polyester

Technical data

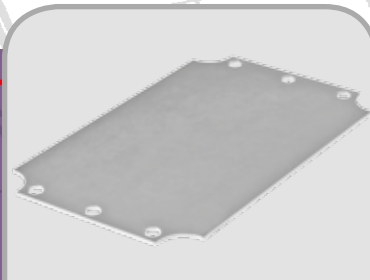
polyTOP



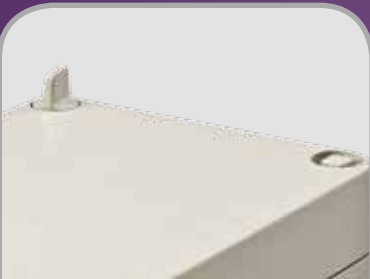
Compatible with aluNORM



Comprehensive range of accessories



Mounting plate



Large selection of...



...locking screws



Hinge



Mounting rail and terminals

Enclosure: Polyester glass fibre reinforced, halogen-free
Mould slope 1°, clear interior dimensions reduce circumferentially by 1° towards the enclosure bottom.

Components: Fixing web and base with M4/M6 threaded bushing in the lower section.

Fastening: Space-saving single-channel technology

Flammability: UL 94 V-0, self-extinguishing

Ingress protection: IP66 / EN 60529

Gasket: Chloroprene (CR) gasket (-30°C to +90°C)

Lid screws: Polyamide (PA), captive

Surface: RAL 7032, silky grey, surface resistance > 10⁹ Ω

Optionally available:

External mounting: Stainless steel 1.4301 (V2A)

Mounting plates: Sheet steel, galvanised

Gasket: Silicon gasket (-50°C to +140°C)

Ingress protection: IP67 / EN 60529

Surface: RAL 9005, deep black, surface resistance < 10⁹ Ω

Further options, see delivery overview.

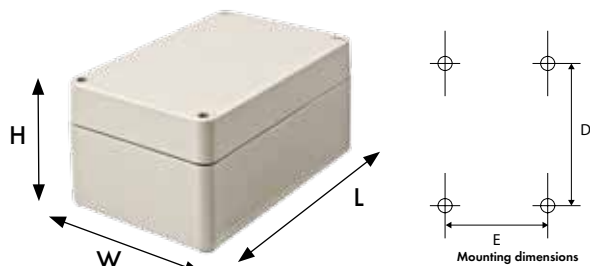
Delivery overview polyTOP																	
Type	Mat. no.	L	W	H	D	E	g	S	IN	V	W	X	H	M	A	T	67
PT 080	132.080.000	82	82	60	67	67	240	○	●	□	○	○	○	●	●	●	●
PT 082	132.082.000	122	82	60	107	67	340	○	●	□	○	○	○	●	●	●	●
PT 084	132.084.000	162	82	60	147	67	420	○	●	□	○	○	○	●	●	●	●
PT 100	132.100.000	102	102	81	87	78	520	●	●	□	○	○	○	●	●	●	●
PT 102	132.102.000	152	102	81	137	87	650	●	●	□	○	○	○	●	●	●	●
PT 104	132.104.000	202	102	81	187	87	770	●	●	□	○	○	○	●	●	●	●
PT 120	132.120.000	124	124	100	102	102	800	●	○	□	●	●	●	●	●	●	●
PT 122	132.122.000	184	124	100	162	102	860	●	○	□	●	●	●	●	●	●	●
PT 124	132.124.000	244	124	100	222	102	920	●	○	□	●	●	●	●	●	●	●
PT 160	132.160.000	164	164	100	142	142	820	●	○	□	●	●	●	●	●	●	●
PT 162	132.162.000	244	164	100	222	142	1.100	●	○	□	●	●	●	●	●	●	●
PT 164	132.164.000	324	164	100	302	142	1.340	●	○	□	●	●	●	●	●	●	●
PT 400	132.400.000	404	404	160	382	382	6.500	●	○	□	●	●	●	●	●	●	●

□ Standard ● Available ○ Not available

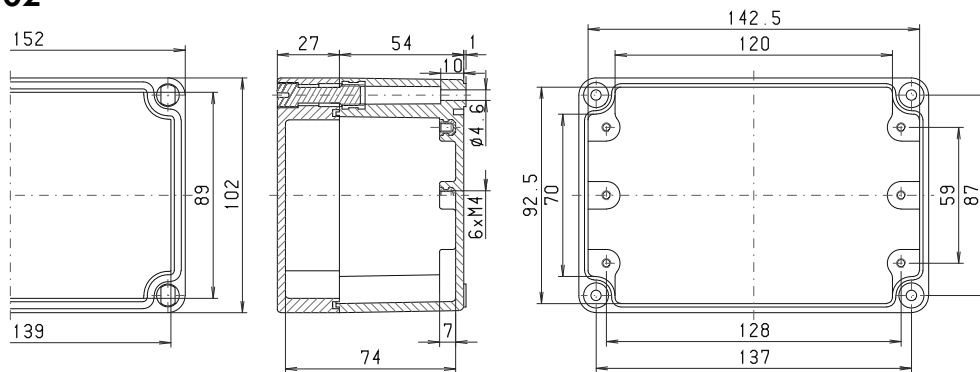
Approvals:



Extended approvals:



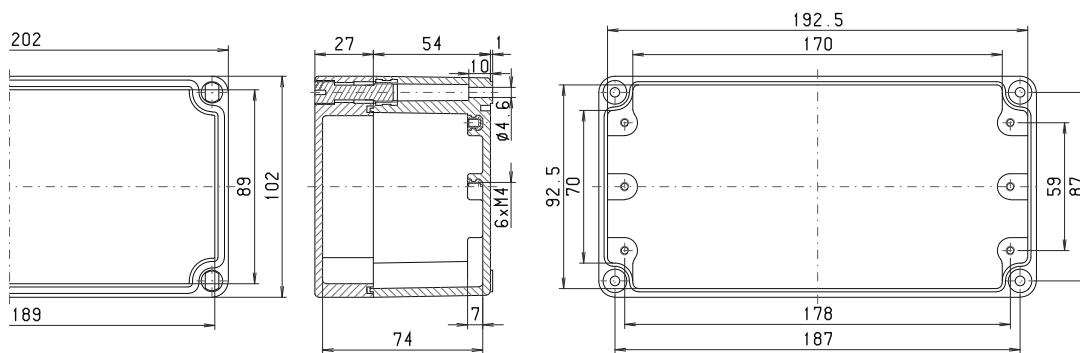
PT 102



Maximum number of cable glands per enclosure side

A C B D		A/B/C/D	
	PG 7	8	2
M 16	PG 9	6	2
	PG 11	4	2
M 20	PG 13,5	4	1
	PG 16	3	1
M 25	PG 21	2	
M 32	PG 29	1	
M 40	PG 36		
M 50	PG 42		
M 63	PG 48		

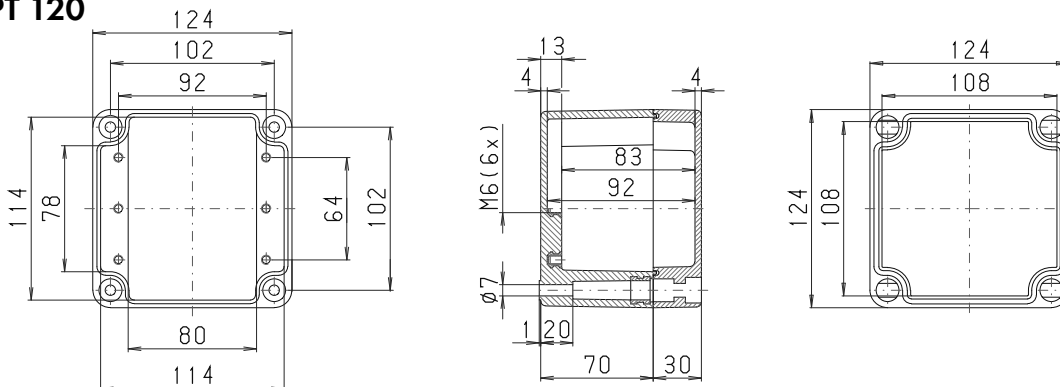
PT 104



Maximum number of cable glands per enclosure side

A C B D		A/B/C/D	
	PG 7	10	2
M 16	PG 9	8	2
	PG 11	6	2
M 20	PG 13,5	5	1
	PG 16	4	1
M 25	PG 21	3	
M 32	PG 29	2	
M 40	PG 36		
M 50	PG 42		
M 63	PG 48		

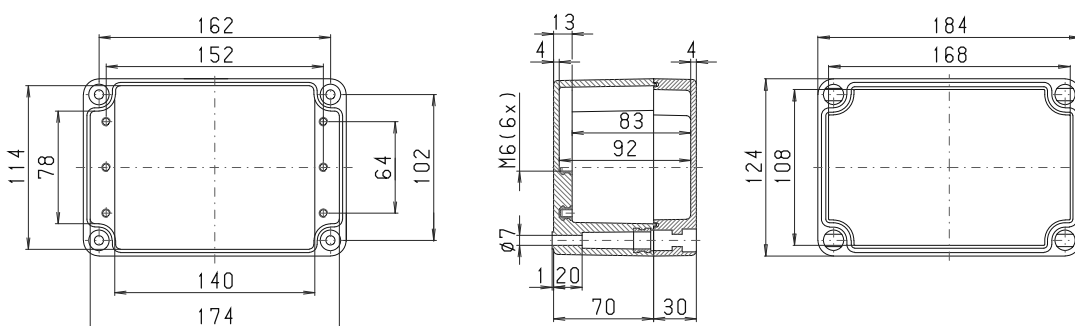
PT 120



Maximum number of cable glands per enclosure side

A C B D		A/B/C/D	
	PG 7	12	9
M 16	PG 9	8	6
	PG 11	8	5
M 20	PG 13,5	5	4
	PG 16	4	4
M 25	PG 21	3	
M 32	PG 29	1	
M 40	PG 36		
M 50	PG 42		
M 63	PG 48		

PT 122



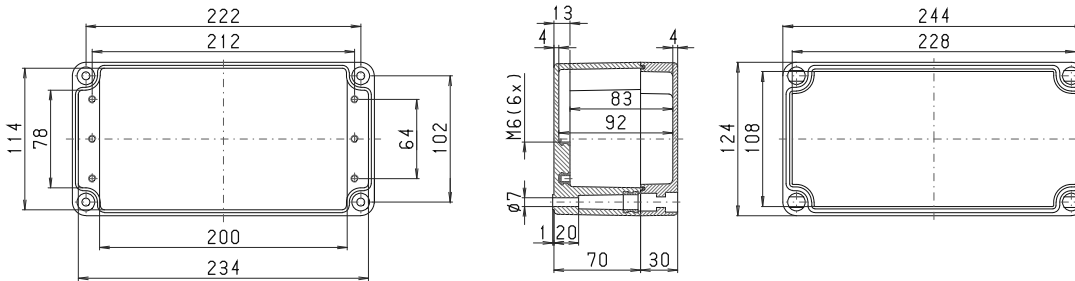
Maximum number of cable glands per enclosure side

A C B D		A/B/C/D	
	PG 7	12	9
M 16	PG 9	11	6
	PG 11	11	5
M 20	PG 13,5	8	4
	PG 16	5	4
M 25	PG 21	3	
M 32	PG 29	3	
M 40	PG 36		
M 50	PG 42		
M 63	PG 48		

ROLEC Attachment and mounting dimensions

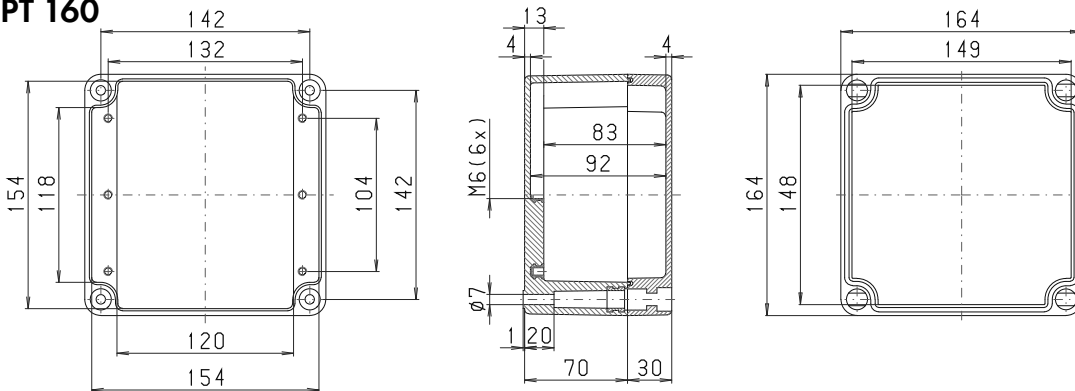
polyTOP

PT 124



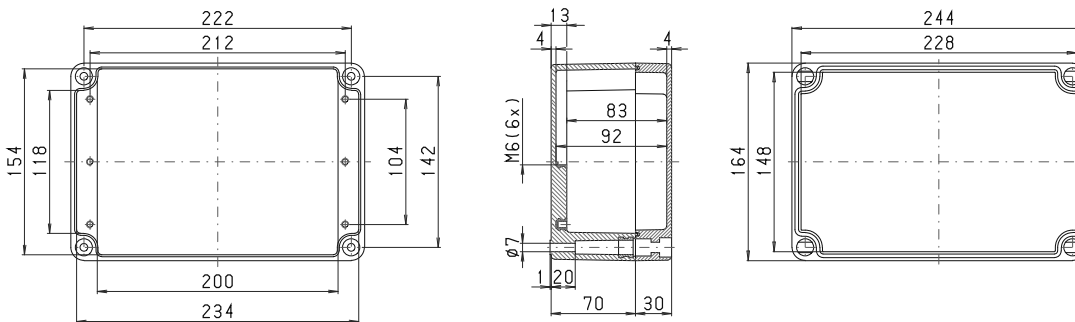
Maximum number of cable glands per enclosure side			
A C □ D B		A/B C/D	
		PG 7	20
M 16	PG 9	17	6
	PG 11	14	5
M 20	PG 13,5	11	4
	PG 16	7	4
M 25	PG 21	4	
M 32	PG 29	3	
M 40	PG 36		
M 50	PG 42		
M 63	PG 48		

PT 160



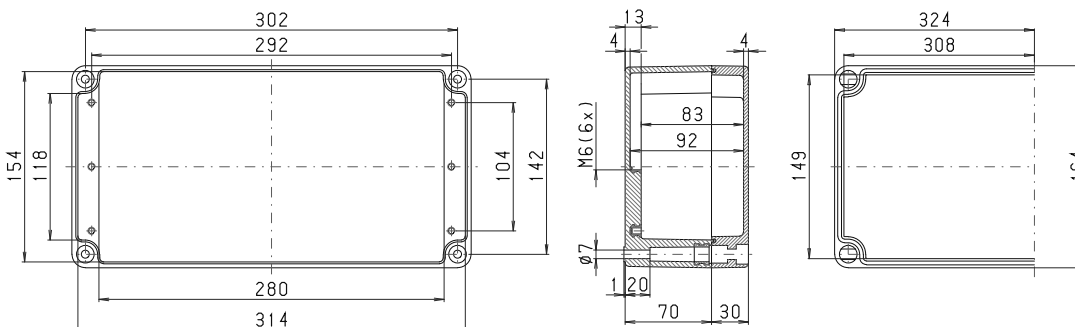
Maximum number of cable glands per enclosure side			
A C □ D B		A/B C/D	
		PG 7	15
M 16	PG 9	14	3
	PG 11	9	2
M 20	PG 13,5	8	2
	PG 16	6	2
M 25	PG 21	2	
M 32	PG 29	2	
M 40	PG 36	1	
M 50	PG 42		
M 63	PG 48		

PT 162



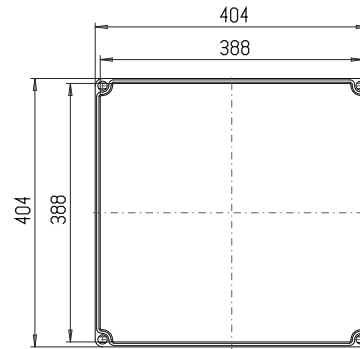
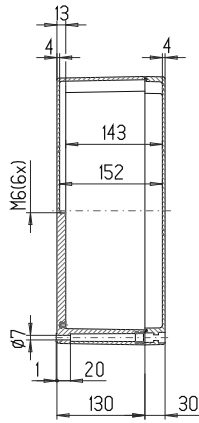
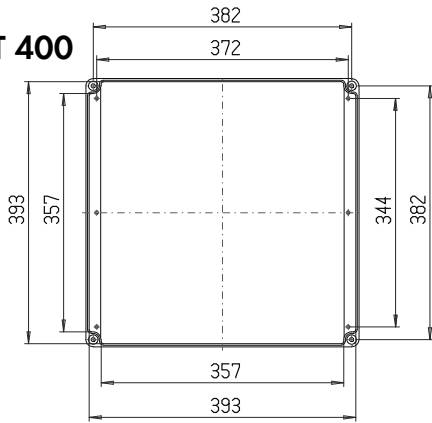
Maximum number of cable glands per enclosure side			
A C □ D B		A/B C/D	
		PG 7	24
M 16	PG 9	21	3
	PG 11	15	2
M 20	PG 13,5	12	2
	PG 16	10	2
M 25	PG 21	4	
M 32	PG 29	3	
M 40	PG 36	3	
M 50	PG 42	2	
M 63	PG 48		

PT 164



Maximum number of cable glands per enclosure side			
A C □ D B		A/B C/D	
		PG 7	36
M 16	PG 9	24	3
	PG 11	21	2
M 20	PG 13,5	17	2
	PG 16	13	2
M 25	PG 21	6	
M 32	PG 29	4	
M 40	PG 36	3	
M 50	PG 42	3	
M 63	PG 48		

PT 400



Maximum number of cable glands per enclosure side

A		A/B/C/D	
C	D		
	PG 7	52	52
M 16	PG 9	33	33
	PG 11	30	30
M 20	PG 13,5	27	27
	PG 16	26	26
M 25	PG 21	20	20
M 32	PG 29	10	10
M 40	PG 36	9	9
M 50	PG 42	5	5
M 63	PG 48	3	3

