



Our *passion* is enclosures.

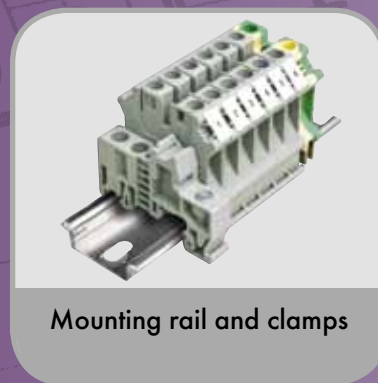


# technoCASE

Multi-variable enclosures made of ABS

# Technical data

## technoCASE



**Enclosure:** Thermoplastic ABS, halogen-free. 1° mould slope for casting ejection, internal measures diminishing circulatory towards enclosure bottom by 1°.

**Flammability:** UL 94 HB

**Integrated recess:** In the cover for membrane keypad or front plates

**Components:** Fastening dome for self-tapping screws in the lower and upper section.

**Ingress protection:** IP66 / EN 60529

**Gasket:** Silicon moulded gasket (-40°C to +120°C)

**Lid screws:** Stainless steel 1.4567 (V2A), captive

**Design covers:** Latching, thermoplastic ABS, halogen-free in RAL 7035, light grey.

**Surface:** RAL 7035, light grey

### Optionally available:

**Internal hinges:** Polypropylene (PP)

**Gasket:** EMC gasket (-55°C to +160°C)

**EMC screen:** Aluminium coating 2.5µm

**Surface:** Special material on request

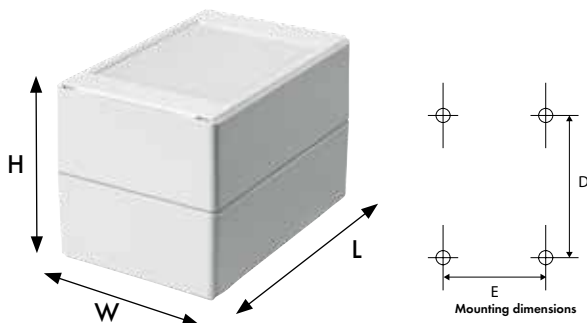
**Further options, see delivery overview.**

**Delivery overview technoCASE**

Type	Mat. no.	L	W	H	D	E	g	M	T	F	L	IS	S	C	P	A	SF	TF
TA 080	201.080.000	80	80	80	66	66	192	●	●	●	●	●	●	●	●	●	●	●
TA 082	201.082.000	120	80	80	106	66	240	●	●	●	●	●	●	●	●	●	●	●
TA 084	201.084.000	160	80	80	146	66	286	●	●	●	●	●	●	●	●	●	●	●
TA 086	201.086.000	240	80	80	226	66	386	●	●	●	●	●	●	●	●	●	●	●
TA 120	201.120.000	120	120	90	106	106	348	●	●	●	●	●	●	●	●	●	●	●
TA 122	201.122.000	200	120	90	186	106	484	●	●	●	●	●	●	●	●	●	●	●
TA 124	201.124.000	240	120	90	226	106	530	●	●	●	●	●	●	●	●	●	●	●
TA 160	201.160.000	160	160	90	146	146	474	●	●	●	●	●	●	●	●	●	●	●
TA 162	201.162.000	240	160	90	226	146	620	●	●	●	●	●	●	●	●	●	●	●
TAH 162	202.162.000	240	160	120	226	146	795	●	●	●	●	●	●	●	●	●	●	●
TA 202	201.202.000	300	200	120	286	186	1.120	●	●	●	●	○	●	○	●	●	○	●
TAH 202	202.202.000	300	200	160	286	186	1.290	●	●	●	●	○	●	○	●	●	○	●
TA 242	201.242.000	360	240	120	346	226	1.500	●	●	●	●	○	●	○	●	●	○	●
TAH 242	202.242.000	360	240	160	346	226	1.730	●	●	●	●	○	●	○	●	●	○	●
TAF 080	200.080.000	80	80	60	66	66	156	●	●	●	●	●	●	●	●	●	●	●
TAF 082	200.082.000	120	80	60	106	66	196	●	●	●	●	●	●	●	●	●	●	●
TAF 084	200.084.000	160	80	60	146	66	234	●	●	●	●	●	●	●	●	●	●	●
TAF 086	200.086.000	240	80	60	226	66	320	●	●	●	●	●	●	●	●	●	●	●
TAF 120	200.120.000	120	120	60	106	106	272	●	●	●	●	●	●	●	●	●	●	●
TAF 122	200.122.000	200	120	60	186	106	398	●	●	●	●	●	●	●	●	●	●	●
TAF 124	200.124.000	240	120	60	226	106	434	●	●	●	●	●	●	●	●	●	●	●
TAF 160	200.160.000	160	160	60	146	146	394	●	●	●	●	●	●	●	●	●	●	●
TAF 162	200.162.000	240	160	60	226	146	534	●	●	●	●	●	●	●	●	●	●	●
TAF 202	200.202.000	300	200	80	286	186	950	●	●	●	●	○	●	○	●	●	○	●
TAF 242	200.242.000	360	240	80	346	226	1.270	●	●	●	●	○	●	○	●	●	○	●

□ Standard ● Available ○ Not available

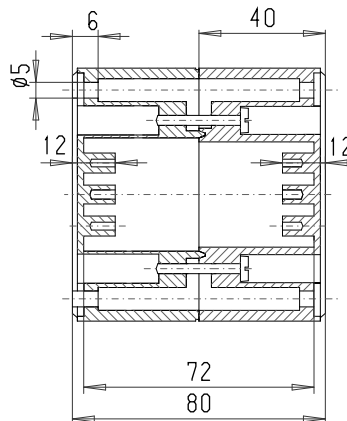
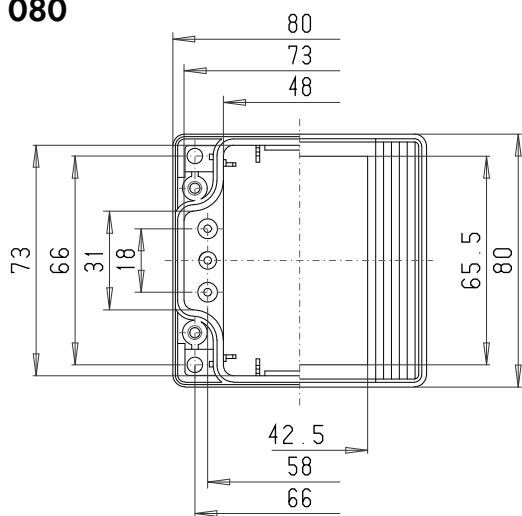
Approvals:



# ROLEC Attachment and mounting dimensions

## technoCASE

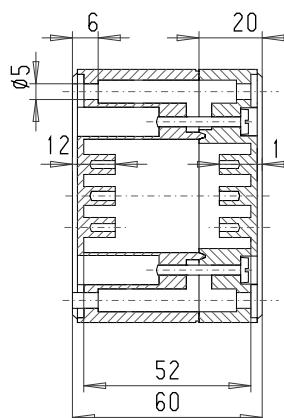
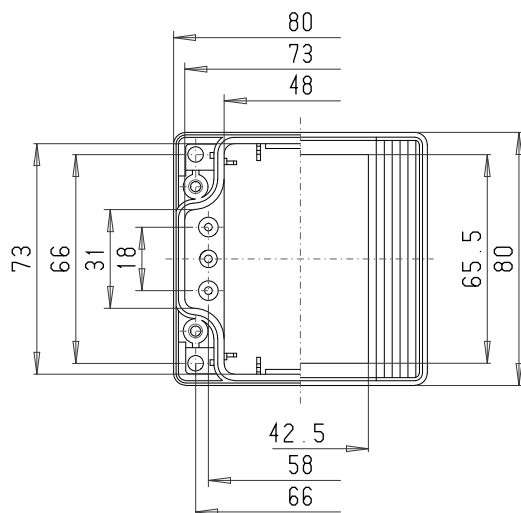
**TA 080**



Maximum number of cable glands per enclosure side

C	A		A/B	C/D
	B	D		
			<b>PG 7</b>	4 2
<b>M 16</b>			<b>PG 9</b>	3 1
			<b>PG 11</b>	2 1
<b>M 20</b>			<b>PG 13,5</b>	2 1
			<b>PG 16</b>	1 1
<b>M 25</b>			<b>PG 21</b>	1
<b>M 32</b>			<b>PG 29</b>	
<b>M 40</b>			<b>PG 36</b>	
<b>M 50</b>			<b>PG 42</b>	
<b>M 63</b>			<b>PG 48</b>	

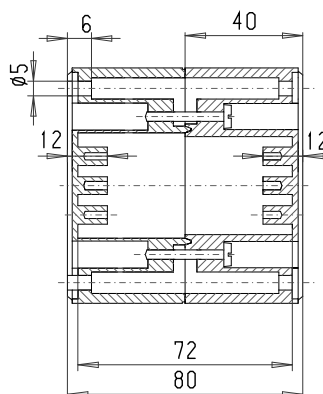
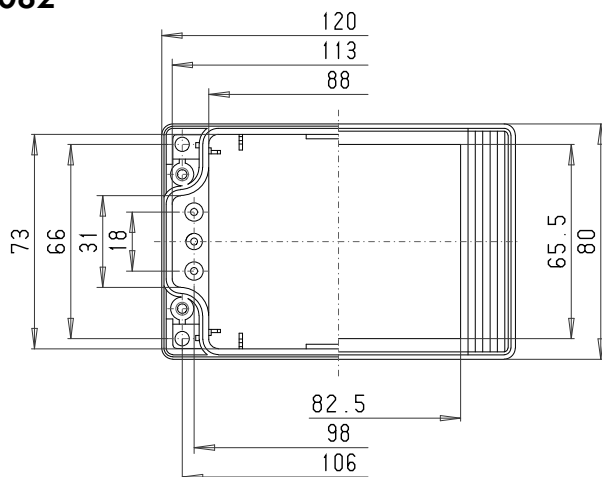
**TAF 080**



Maximum number of cable glands per enclosure side

C	A		A/B	C/D
	B	D		
			<b>PG 7</b>	4 2
<b>M 16</b>			<b>PG 9</b>	3 1
			<b>PG 11</b>	2 1
<b>M 20</b>			<b>PG 13,5</b>	2 1
			<b>PG 16</b>	1 1
<b>M 25</b>			<b>PG 21</b>	1
<b>M 32</b>			<b>PG 29</b>	
<b>M 40</b>			<b>PG 36</b>	
<b>M 50</b>			<b>PG 42</b>	
<b>M 63</b>			<b>PG 48</b>	

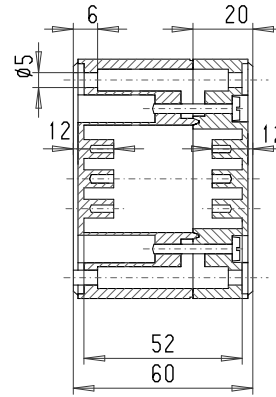
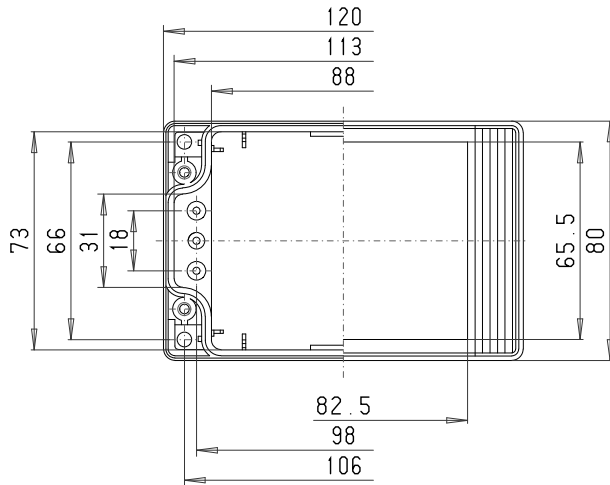
**TA 082**



Maximum number of cable glands per enclosure side

C	A		A/B	C/D
	B	D		
			<b>PG 7</b>	10 2
<b>M 16</b>			<b>PG 9</b>	6 1
			<b>PG 11</b>	3 1
<b>M 20</b>			<b>PG 13,5</b>	3 1
			<b>PG 16</b>	3 1
<b>M 25</b>			<b>PG 21</b>	2
<b>M 32</b>			<b>PG 29</b>	
<b>M 40</b>			<b>PG 36</b>	
<b>M 50</b>			<b>PG 42</b>	
<b>M 63</b>			<b>PG 48</b>	

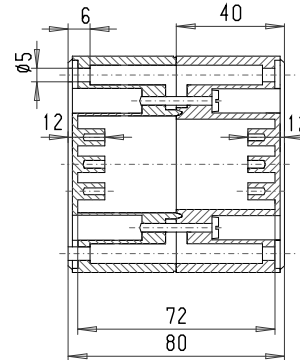
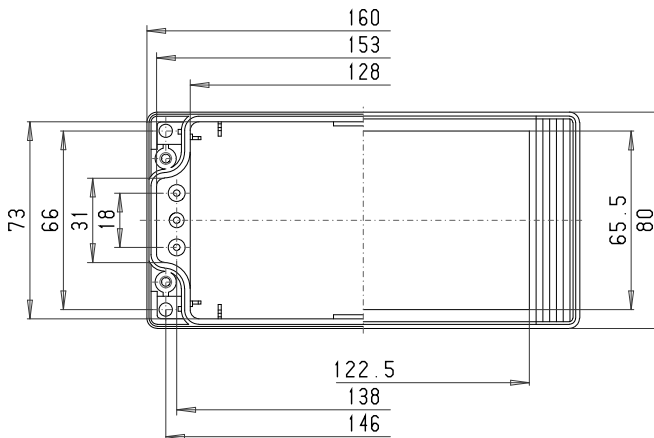
### TAF 082



Maximum number of cable glands per enclosure side

C	A		A/B/C/D	
	B	D		
			PG 7	10 2
M 16			PG 9	6 1
			PG 11	3 1
M 20			PG 13,5	3 1
			PG 16	3 1
M 25			PG 21	2
M 32			PG 29	
M 40			PG 36	
M 50			PG 42	
M 63			PG 48	

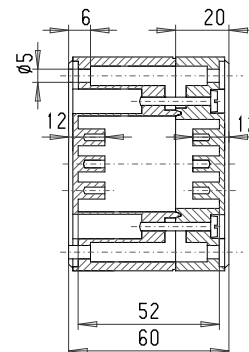
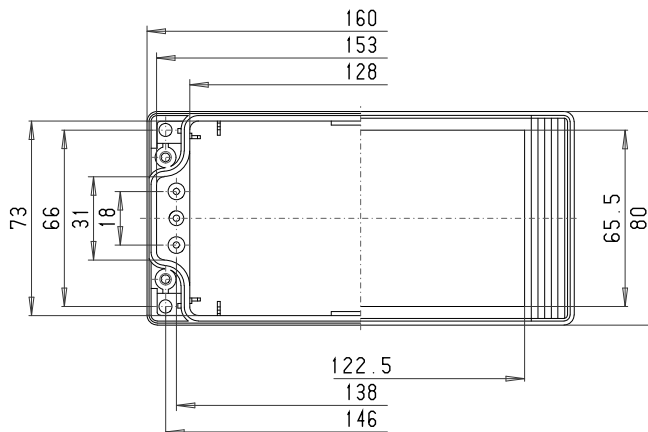
### TA 084



Maximum number of cable glands per enclosure side

C	A		A/B/C/D	
	B	D		
			PG 7	14 2
M 16			PG 9	9 1
			PG 11	5 1
M 20			PG 13,5	4 1
			PG 16	4 1
M 25			PG 21	3
M 32			PG 29	
M 40			PG 36	
M 50			PG 42	
M 63			PG 48	

### TAF 084



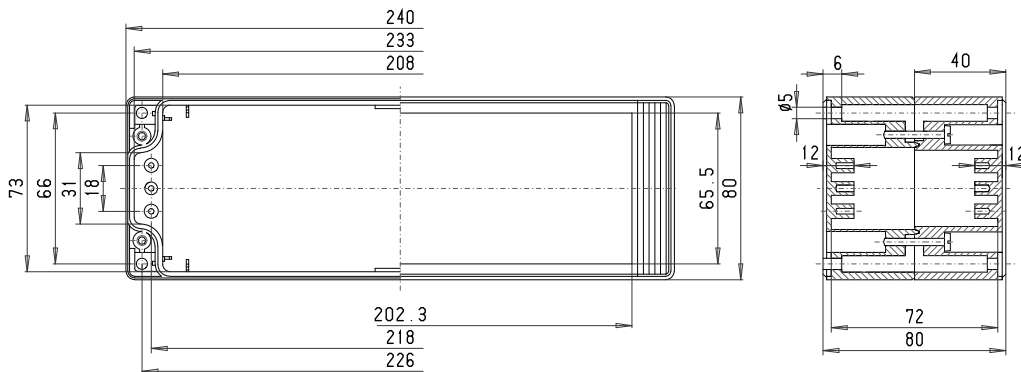
Maximum number of cable glands per enclosure side

C	A		A/B/C/D	
	B	D		
			PG 7	14 2
M 16			PG 9	9 1
			PG 11	5 1
M 20			PG 13,5	4 1
			PG 16	4 1
M 25			PG 21	3
M 32			PG 29	
M 40			PG 36	
M 50			PG 42	
M 63			PG 48	

# ROLEC Attachment and mounting dimensions

## technoCASE

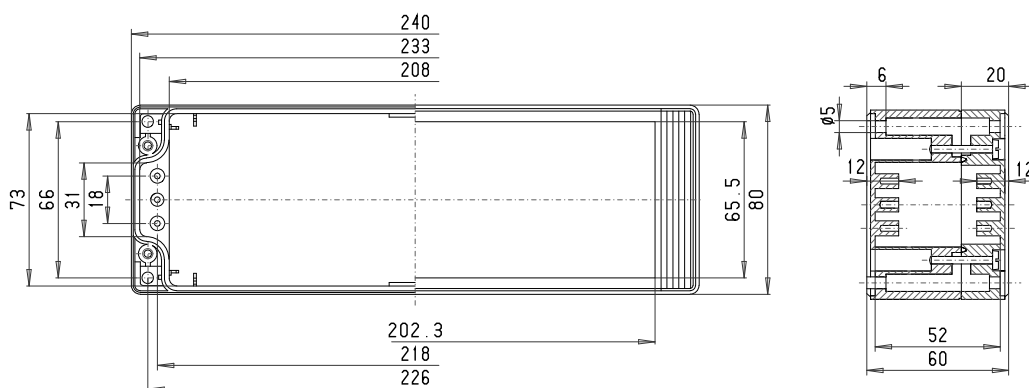
**TA 086**



Maximum number of cable glands per enclosure side

C	A		A/B	C/D
	B	D		
			<b>PG 7</b>	<b>22 2</b>
<b>M 16</b>			<b>PG 9</b>	<b>15 1</b>
			<b>PG 11</b>	<b>8 1</b>
<b>M 20</b>			<b>PG 13,5</b>	<b>7 1</b>
			<b>PG 16</b>	<b>6 1</b>
<b>M 25</b>			<b>PG 21</b>	<b>5</b>
<b>M 32</b>			<b>PG 29</b>	
<b>M 40</b>			<b>PG 36</b>	
<b>M 50</b>			<b>PG 42</b>	
<b>M 63</b>			<b>PG 48</b>	

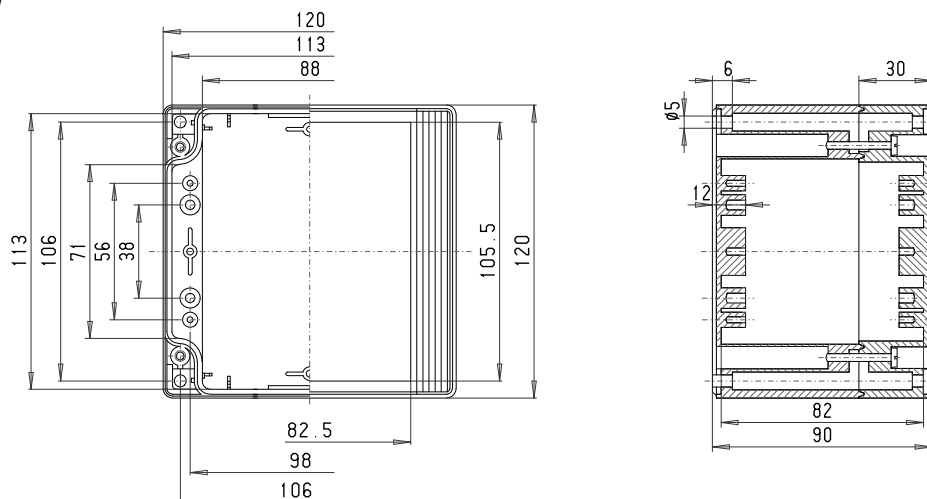
**TAF 086**



Maximum number of cable glands per enclosure side

C	A		A/B	C/D
	B	D		
			<b>PG 7</b>	<b>22 2</b>
<b>M 16</b>			<b>PG 9</b>	<b>15 1</b>
			<b>PG 11</b>	<b>8 1</b>
<b>M 20</b>			<b>PG 13,5</b>	<b>7 1</b>
			<b>PG 16</b>	<b>6 1</b>
<b>M 25</b>			<b>PG 21</b>	<b>5</b>
<b>M 32</b>			<b>PG 29</b>	
<b>M 40</b>			<b>PG 36</b>	
<b>M 50</b>			<b>PG 42</b>	
<b>M 63</b>			<b>PG 48</b>	

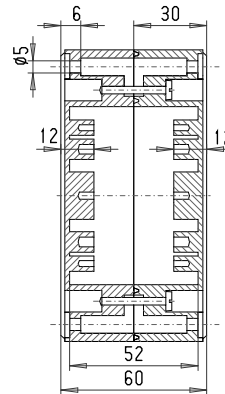
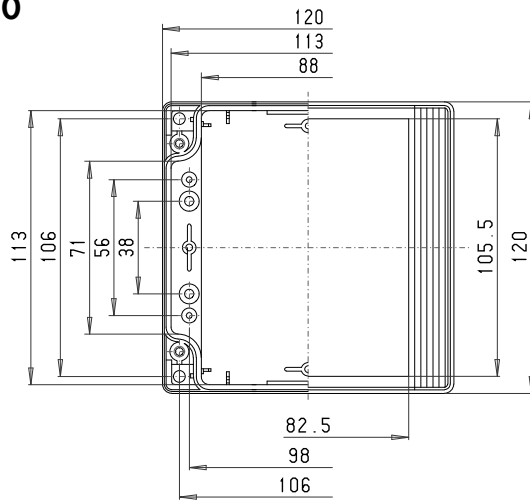
**TA 120**



Maximum number of cable glands per enclosure side

C	A		A/B	C/D
	B	D		
			<b>PG 7</b>	<b>12 11</b>
<b>M 16</b>			<b>PG 9</b>	<b>8 6</b>
			<b>PG 11</b>	<b>6 4</b>
<b>M 20</b>			<b>PG 13,5</b>	<b>5 3</b>
			<b>PG 16</b>	<b>4 3</b>
<b>M 25</b>			<b>PG 21</b>	<b>2 2</b>
<b>M 32</b>			<b>PG 29</b>	<b>2 1</b>
<b>M 40</b>			<b>PG 36</b>	<b>1 1</b>
<b>M 50</b>			<b>PG 42</b>	
<b>M 63</b>			<b>PG 48</b>	

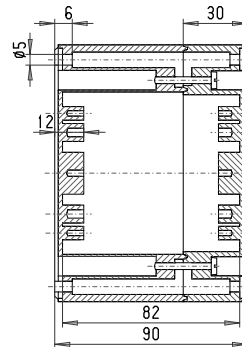
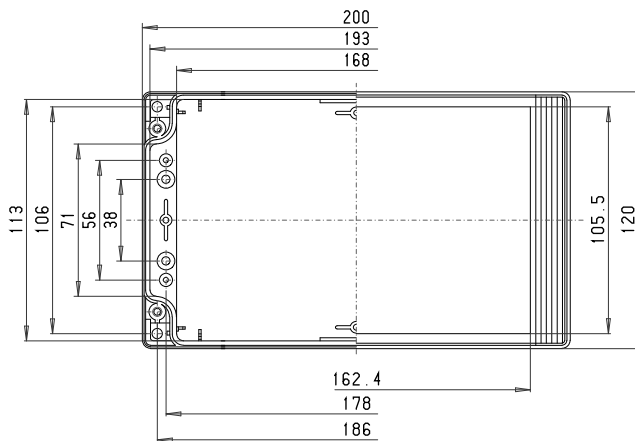
### TAF 120



Maximum number of cable glands per enclosure side

C	A		A/B/C/D
	B	D	
		PG 7	5 4
M 16		PG 9	4 3
		PG 11	2
M 20		PG 13,5	2
		PG 16	2
M 25		PG 21	
M 32		PG 29	
M 40		PG 36	
M 50		PG 42	
M 63		PG 48	

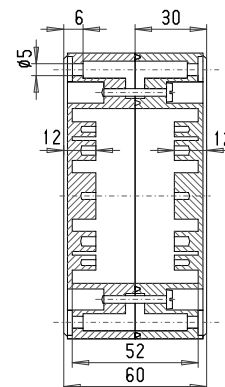
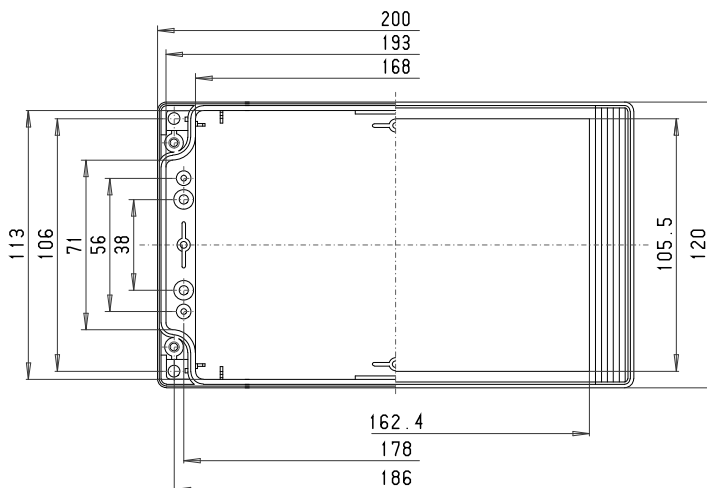
### TA 122



Maximum number of cable glands per enclosure side

C	A		A/B/C/D
	B	D	
		PG 7	26 11
M 16		PG 9	16 6
		PG 11	12 4
M 20		PG 13,5	12 3
		PG 16	9 3
M 25		PG 21	4 2
M 32		PG 29	3 1
M 40		PG 36	2 1
M 50		PG 42	
M 63		PG 48	

### TAF 122



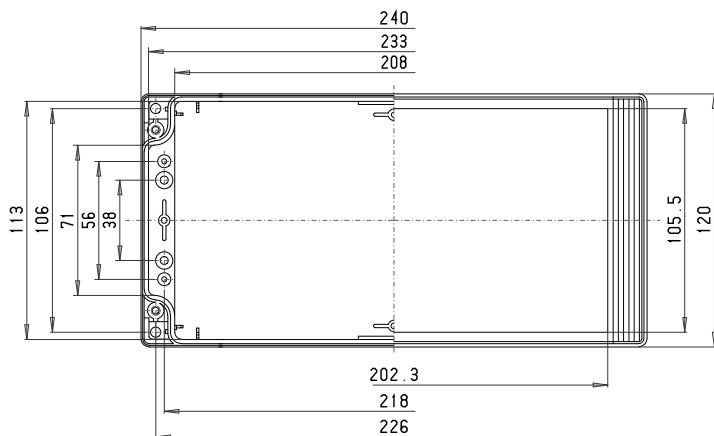
Maximum number of cable glands per enclosure side

C	A		A/B/C/D
	B	D	
		PG 7	11 4
M 16		PG 9	7 3
		PG 11	5
M 20		PG 13,5	4
		PG 16	4
M 25		PG 21	
M 32		PG 29	
M 40		PG 36	
M 50		PG 42	
M 63		PG 48	

# ROLEC Attachment and mounting dimensions

## technoCASE

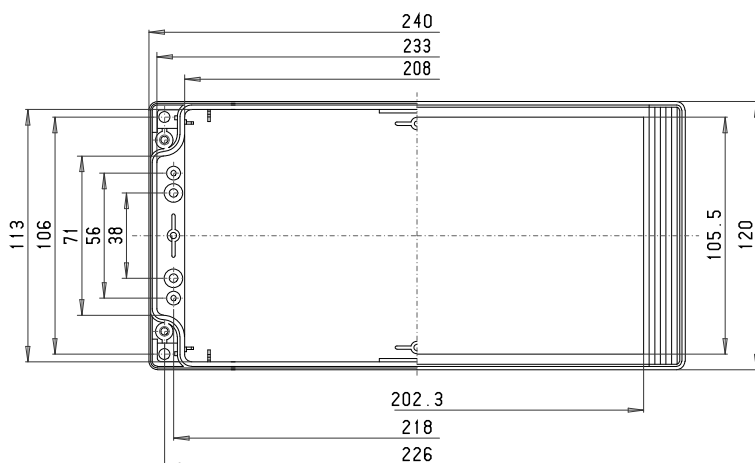
**TA 124**



Maximum number of cable glands per enclosure side

A C □ D B		A/B	C/D
	<b>PG 7</b>	<b>32</b>	<b>11</b>
<b>M 16</b>	<b>PG 9</b>	<b>22</b>	<b>6</b>
	<b>PG 11</b>	<b>16</b>	<b>4</b>
<b>M 20</b>	<b>PG 13,5</b>	<b>13</b>	<b>3</b>
	<b>PG 16</b>	<b>12</b>	<b>3</b>
<b>M 25</b>	<b>PG 21</b>	<b>5</b>	<b>2</b>
<b>M 32</b>	<b>PG 29</b>	<b>4</b>	<b>1</b>
<b>M 40</b>	<b>PG 36</b>	<b>2</b>	<b>1</b>
<b>M 50</b>	<b>PG 42</b>		
<b>M 63</b>	<b>PG 48</b>		

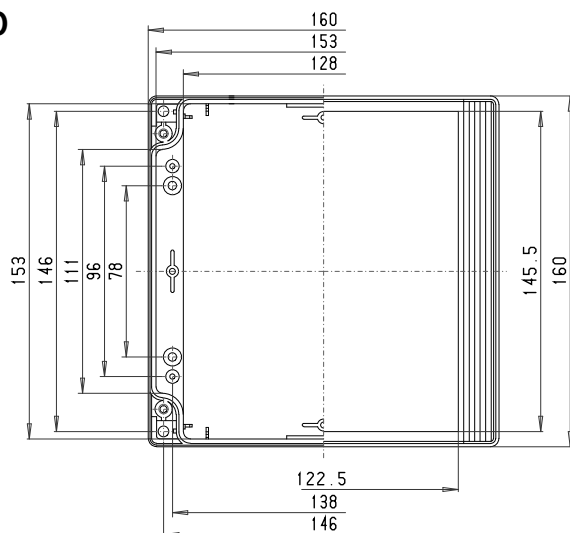
**TAF 124**



Maximum number of cable glands per enclosure side

A C □ D B		A/B	C/D
	<b>PG 7</b>	<b>14</b>	<b>4</b>
<b>M 16</b>	<b>PG 9</b>	<b>9</b>	<b>3</b>
	<b>PG 11</b>	<b>6</b>	
<b>M 20</b>	<b>PG 13,5</b>	<b>6</b>	
	<b>PG 16</b>	<b>6</b>	
<b>M 25</b>	<b>PG 21</b>		
<b>M 32</b>	<b>PG 29</b>		
<b>M 40</b>	<b>PG 36</b>		
<b>M 50</b>	<b>PG 42</b>		
<b>M 63</b>	<b>PG 48</b>		

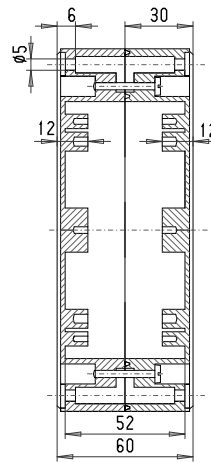
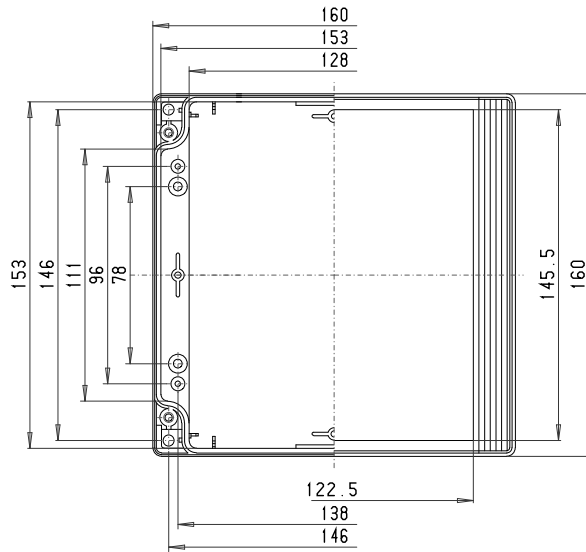
**TA 160**



Maximum number of cable glands per enclosure side

A C □ D B		A/B	C/D
	<b>PG 7</b>	<b>20</b>	<b>17</b>
<b>M 16</b>	<b>PG 9</b>	<b>13</b>	<b>10</b>
	<b>PG 11</b>	<b>10</b>	<b>8</b>
<b>M 20</b>	<b>PG 13,5</b>	<b>8</b>	<b>5</b>
	<b>PG 16</b>	<b>8</b>	<b>5</b>
<b>M 25</b>	<b>PG 21</b>	<b>3</b>	<b>3</b>
<b>M 32</b>	<b>PG 29</b>	<b>2</b>	<b>2</b>
<b>M 40</b>	<b>PG 36</b>	<b>2</b>	<b>1</b>
<b>M 50</b>	<b>PG 42</b>		
<b>M 63</b>	<b>PG 48</b>		

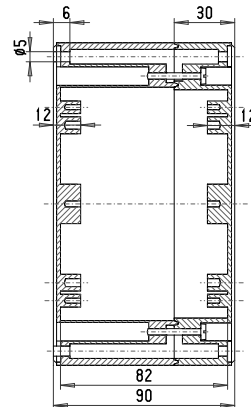
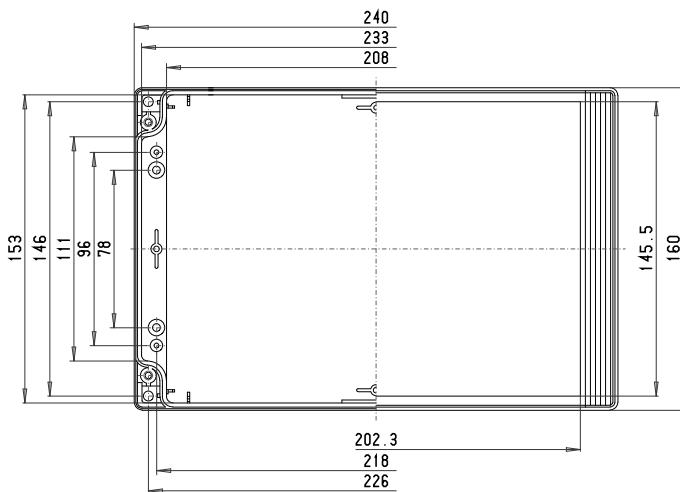
### TAF 160



Maximum number of cable glands per enclosure side

C	A		A/B/C/D	
	B	D		
			PG 7	8 6
M 16			PG 9	6 5
			PG 11	4 4
M 20			PG 13,5	4 2
			PG 16	4 2
M 25			PG 21	
M 32			PG 29	
M 40			PG 36	
M 50			PG 42	
M 63			PG 48	

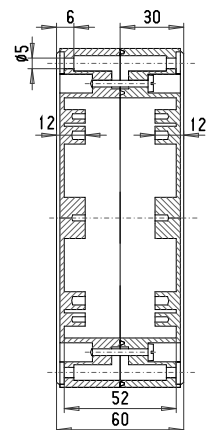
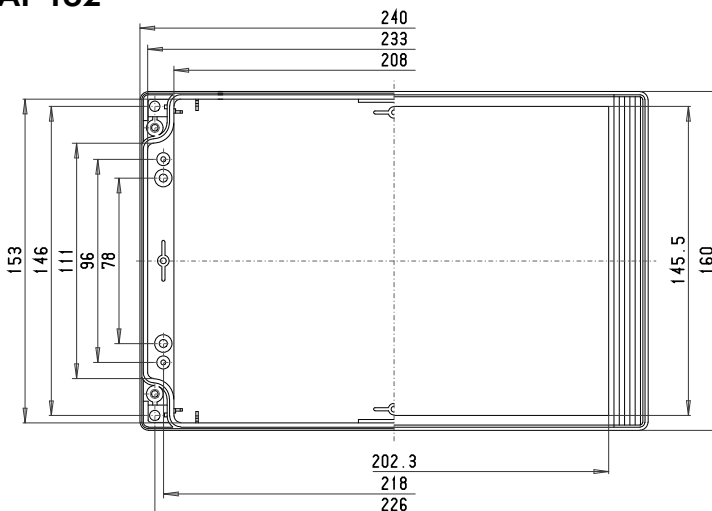
### TA 162



Maximum number of cable glands per enclosure side

C	A		A/B/C/D	
	B	D		
			PG 7	32 17
M 16			PG 9	19 10
			PG 11	16 8
M 20			PG 13,5	13 5
			PG 16	12 5
M 25			PG 21	5 3
M 32			PG 29	4 2
M 40			PG 36	2 1
M 50			PG 42	
M 63			PG 48	

### TAF 162

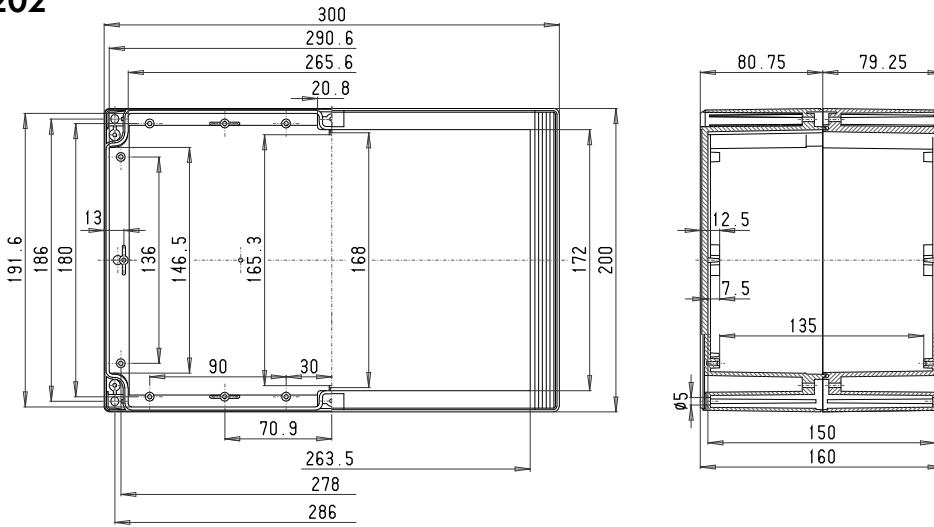


Maximum number of cable glands per enclosure side

C	A		A/B/C/D	
	B	D		
			PG 7	14 6
M 16			PG 9	9 5
			PG 11	8 4
M 20			PG 13,5	6 2
			PG 16	6 2
M 25			PG 21	
M 32			PG 29	
M 40			PG 36	
M 50			PG 42	
M 63			PG 48	



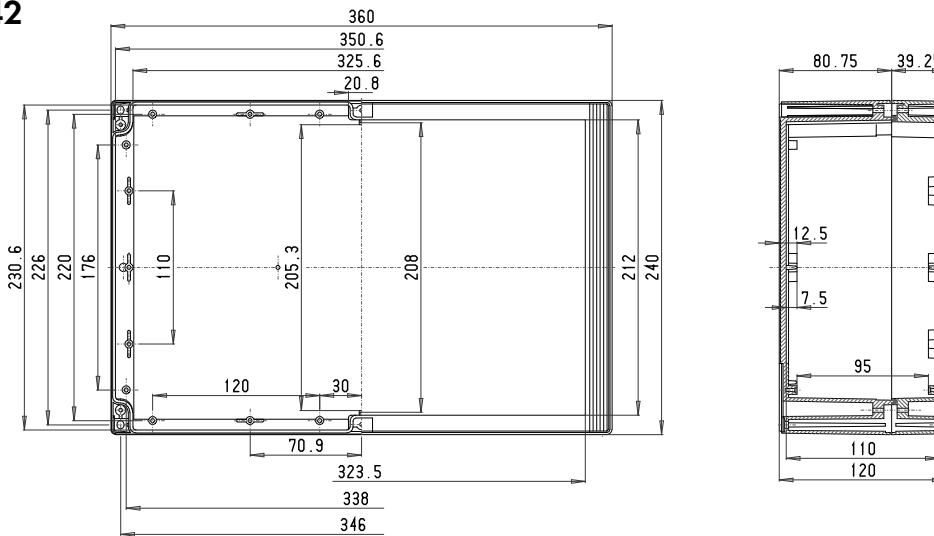
### TAH 202



Maximum number of cable glands per enclosure side

C	A		A/B/C/D	
	B	D		
			PG 7	50 30
M 16			PG 9	33 21
			PG 11	27 12
M 20			PG 13,5	21 11
			PG 16	15 9
M 25			PG 21	6 3
M 32			PG 29	4 2
M 40			PG 36	
M 50			PG 42	
M 63			PG 48	

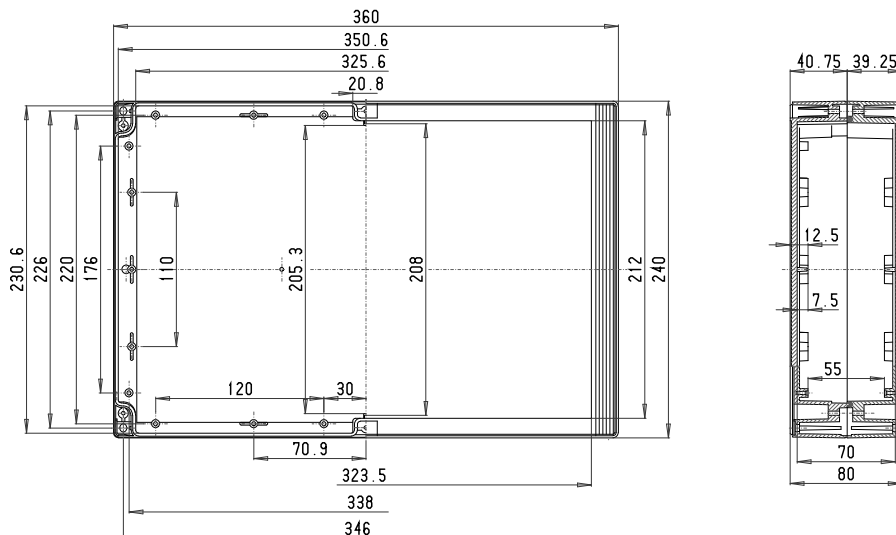
### TA 242



Maximum number of cable glands per enclosure side

C	A		A/B/C/D	
	B	D		
			PG 7	62 38
M 16			PG 9	45 24
			PG 11	35 17
M 20			PG 13,5	27 14
			PG 16	18 12
M 25			PG 21	16 7
M 32			PG 29	8 4
M 40			PG 36	5 3
M 50			PG 42	
M 63			PG 48	

### TAF 242



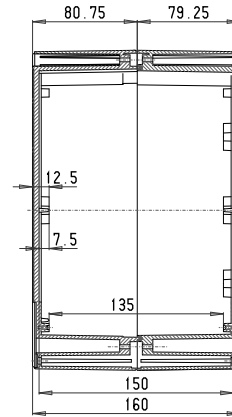
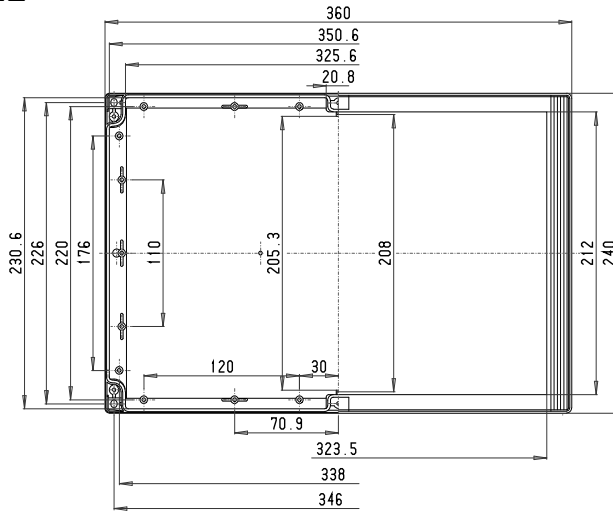
Maximum number of cable glands per enclosure side

C	A		A/B/C/D	
	B	D		
			PG 7	25 15
M 16			PG 9	15 9
			PG 11	11 7
M 20			PG 13,5	11 6
			PG 16	9 5
M 25			PG 21	8 4
M 32			PG 29	
M 40			PG 36	
M 50			PG 42	
M 63			PG 48	

# ROLEC Attachment and mounting dimensions

## technoCASE

### TAH 242



Maximum number of cable glands per enclosure side			
A		A/B	C/D
C	D	PG 7	62 38
M 16	B	PG 9	45 24
		PG 11	35 17
M 20		PG 13,5	27 14
		PG 16	18 12
M 25		PG 21	16 7
M 32		PG 29	8 4
M 40		PG 36	5 3
M 50		PG 42	
M 63		PG 48	