



Our *passion* is enclosures.



technoBOX

Standard enclosures made of ABS

Technical data

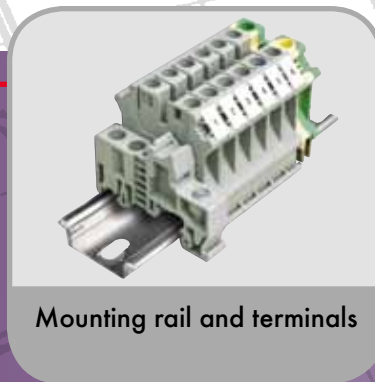
technoBOX



External hinges



Fancy external mounting feet,
90° rotating



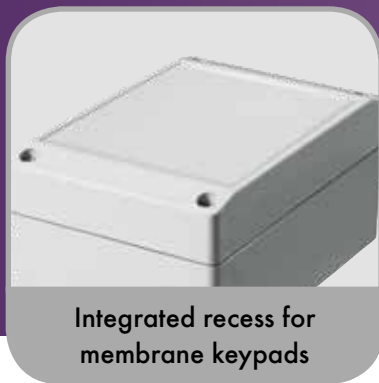
Mounting rail and terminals



Alternative design due to
slanted lid edges



Mounting plate



Integrated recess for
membrane keypads



Front plate

Enclosure: Thermoplastic ABS, halogen-free, 1° mould slope for casting ejection, internal measures diminishing circulatory towards enclosure bottom by 1°.

Flammability: UL 94 HB

Integrated recess: In the lid for membrane keypad or front plates

Components: Fastening dome for self-tapping screws in the lower and upper section.

Ingress protection: IP66 / EN 60529

Gasket: Chloroprene (CR), gasket (-30°C to +90°C)

Lid screws: Stainless steel 1.4567 (V2A), captive

Surface: RAL 7035, light grey

Optionally available:

Gasket: EMC gasket (-55°C to +160°C)

EMC screen: Aluminium coating 2.5µm

Surface: Special material on request

Further options, see delivery overview.

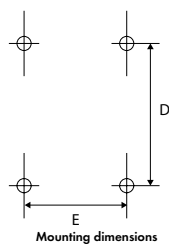
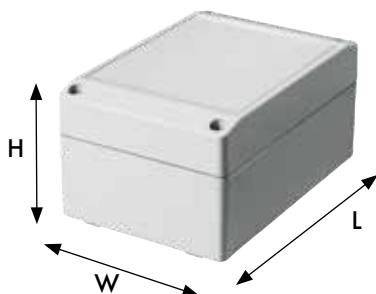
Delivery overview technoBOX

| Type | Mat. no. | L | W | H | D | E | g | M* | T | F* | A | S | TF | EMC |
|---------|-------------|-----|-----|----|-----|-----|-----|----|---|----|---|---|----|-----|
| TBA 060 | 220.060.000 | 66 | 51 | 35 | 53 | 38 | 50 | ○ | ● | ● | ● | ○ | ● | ● |
| TBA 080 | 220.080.000 | 83 | 81 | 60 | 70 | 50 | 170 | ● | ● | ● | ● | ● | ● | ● |
| TBA 082 | 220.082.000 | 121 | 81 | 60 | 108 | 50 | 220 | ● | ● | ● | ● | ● | ● | ● |
| TBA 084 | 220.084.000 | 161 | 81 | 60 | 148 | 50 | 220 | ● | ● | ● | ● | ● | ● | ● |
| TBA 102 | 220.102.000 | 151 | 101 | 60 | 138 | 70 | 230 | ● | ● | ● | ● | ● | ● | ● |
| TBA 104 | 220.104.000 | 201 | 101 | 60 | 188 | 70 | 300 | ● | ● | ● | ● | ● | ● | ● |
| TBA 120 | 220.120.000 | 123 | 121 | 80 | 110 | 90 | 240 | ● | ● | ● | ● | ● | ● | ● |
| TBA 122 | 220.122.000 | 201 | 121 | 80 | 188 | 90 | 400 | ● | ● | ● | ● | ● | ● | ● |
| TBA 160 | 220.160.000 | 161 | 161 | 80 | 148 | 130 | 450 | ● | ● | ● | ● | ● | ● | ● |
| TBA 162 | 220.162.000 | 241 | 161 | 80 | 228 | 130 | 650 | ● | ● | ● | ● | ● | ● | ● |

* On request

□ Standard ● Available ○ Not available

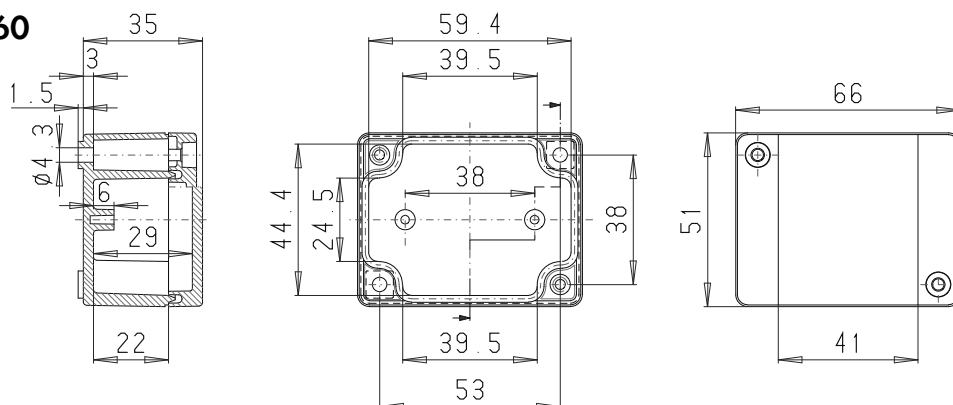
Approvals:



ROLEC Attachment and mounting dimensions

technoBOX

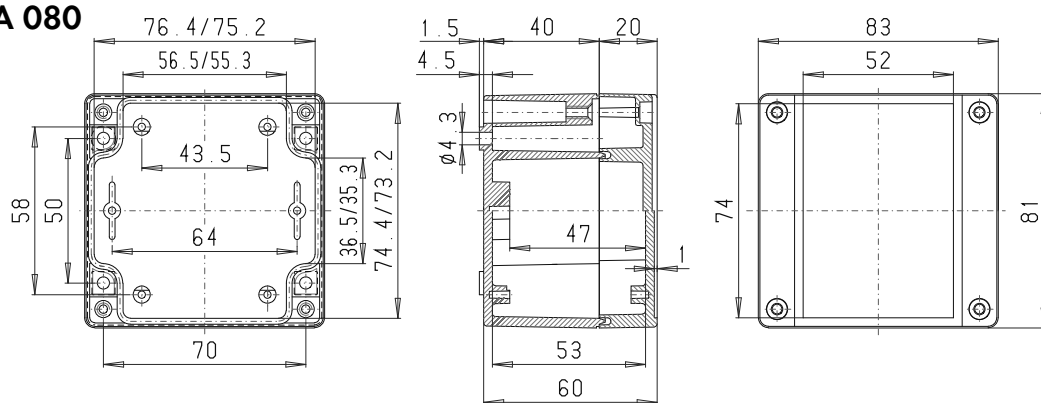
TBA 060



Maximum number of cable glands per enclosure side

| C | A | | A/B | C/D |
|------|---|---|---------|-----|
| | B | D | | |
| | | | PG 7 | 2 1 |
| M 16 | | | PG 9 | 2 1 |
| | | | PG 11 | |
| M 20 | | | PG 13,5 | |
| | | | PG 16 | |
| M 25 | | | PG 21 | |
| M 32 | | | PG 29 | |
| M 40 | | | PG 36 | |
| M 50 | | | PG 42 | |
| M 63 | | | PG 48 | |

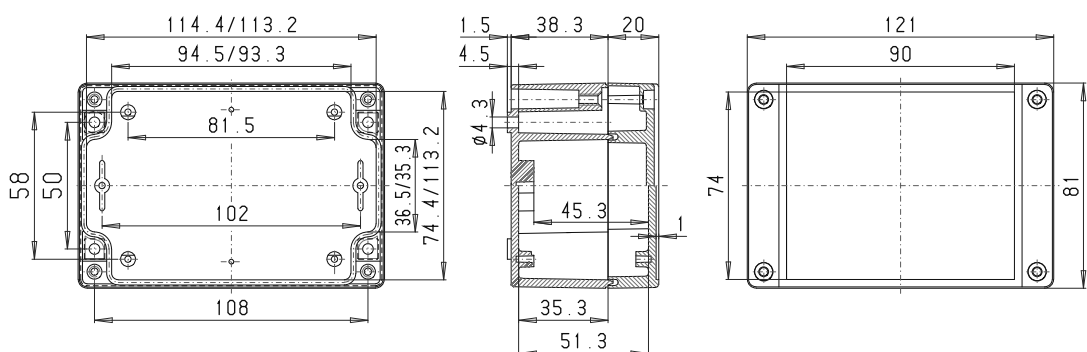
TBA 080



Maximum number of cable glands per enclosure side

| C | A | | A/B | C/D |
|------|---|---|---------|-----|
| | B | D | | |
| | | | PG 7 | 4 2 |
| M 16 | | | PG 9 | 3 1 |
| | | | PG 11 | 2 1 |
| M 20 | | | PG 13,5 | 2 1 |
| | | | PG 16 | 2 1 |
| M 25 | | | PG 21 | |
| M 32 | | | PG 29 | |
| M 40 | | | PG 36 | |
| M 50 | | | PG 42 | |
| M 63 | | | PG 48 | |

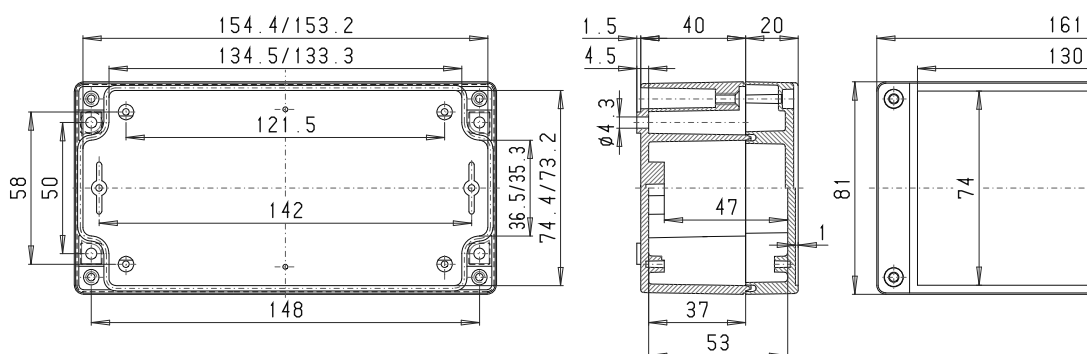
TBA 082



Maximum number of cable glands per enclosure side

| C | A | | A/B | C/D |
|------|---|---|---------|-----|
| | B | D | | |
| | | | PG 7 | 8 3 |
| M 16 | | | PG 9 | 5 2 |
| | | | PG 11 | 4 1 |
| M 20 | | | PG 13,5 | 3 1 |
| | | | PG 16 | 3 1 |
| M 25 | | | PG 21 | |
| M 32 | | | PG 29 | |
| M 40 | | | PG 36 | |
| M 50 | | | PG 42 | |
| M 63 | | | PG 48 | |

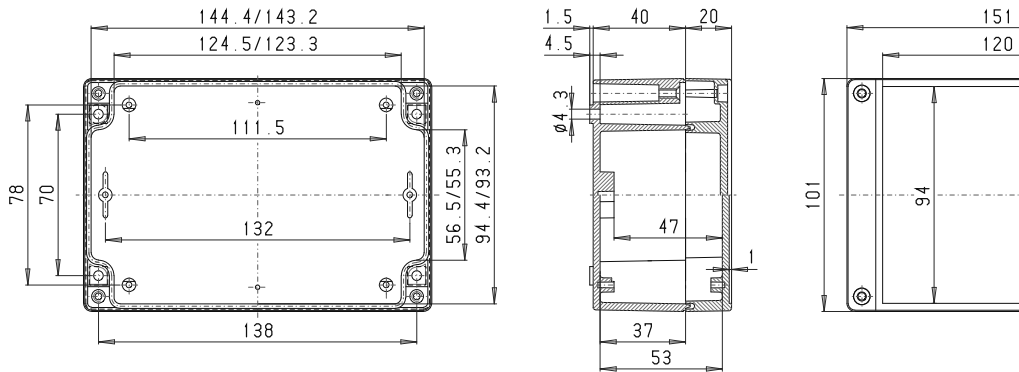
TBA 084



Maximum number of cable glands per enclosure side

| C | A | | A/B | C/D |
|------|---|---|---------|------|
| | B | D | | |
| | | | PG 7 | 13 3 |
| M 16 | | | PG 9 | 8 2 |
| | | | PG 11 | 6 1 |
| M 20 | | | PG 13,5 | 5 1 |
| | | | PG 16 | 4 1 |
| M 25 | | | PG 21 | |
| M 32 | | | PG 29 | |
| M 40 | | | PG 36 | |
| M 50 | | | PG 42 | |
| M 63 | | | PG 48 | |

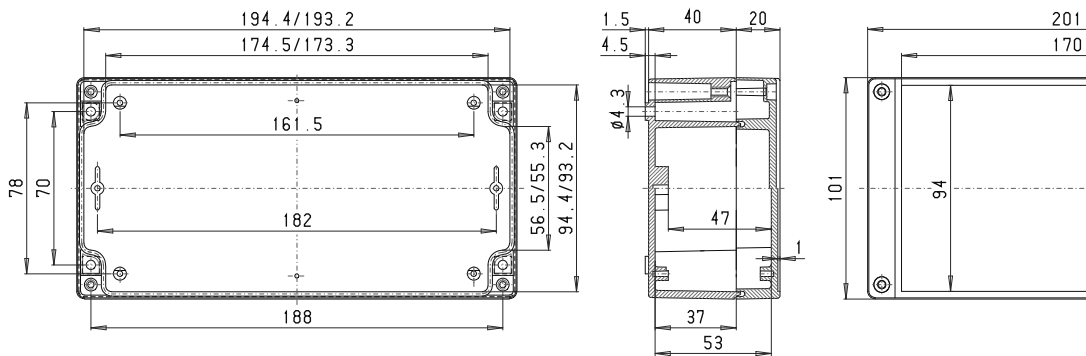
TBA 102



Maximum number of cable glands per enclosure side

| C | A | | A/B/C/D | |
|------|---|---|---------|------|
| | B | D | | |
| | | | PG 7 | 16 6 |
| M 16 | | | PG 9 | 8 4 |
| | | | PG 11 | 7 3 |
| M 20 | | | PG 13,5 | 5 2 |
| | | | PG 16 | 3 1 |
| M 25 | | | PG 21 | 3 1 |
| M 32 | | | PG 29 | |
| M 40 | | | PG 36 | |
| M 50 | | | PG 42 | |
| M 63 | | | PG 48 | |

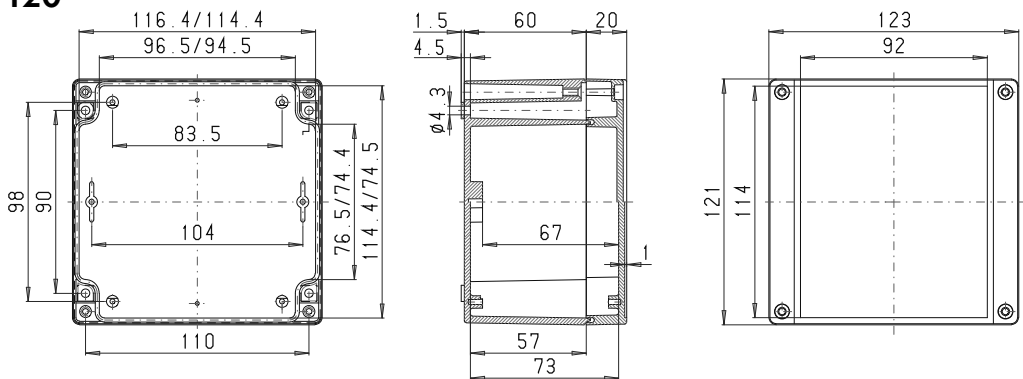
TBA 104



Maximum number of cable glands per enclosure side

| C | A | | A/B/C/D | |
|------|---|---|---------|------|
| | B | D | | |
| | | | PG 7 | 23 6 |
| M 16 | | | PG 9 | 12 4 |
| | | | PG 11 | 9 3 |
| M 20 | | | PG 13,5 | 7 2 |
| | | | PG 16 | 5 1 |
| M 25 | | | PG 21 | 4 1 |
| M 32 | | | PG 29 | |
| M 40 | | | PG 36 | |
| M 50 | | | PG 42 | |
| M 63 | | | PG 48 | |

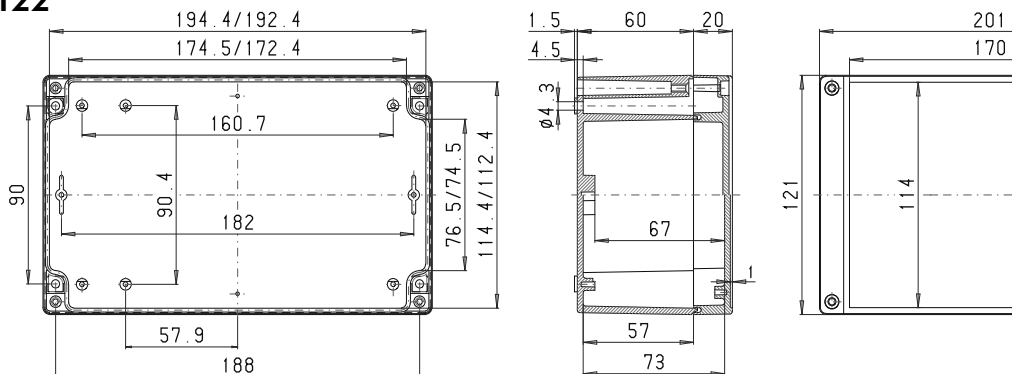
TBA 120



Maximum number of cable glands per enclosure side

| C | A | | A/B/C/D | |
|------|---|---|---------|-------|
| | B | D | | |
| | | | PG 7 | 15 12 |
| M 16 | | | PG 9 | 10 9 |
| | | | PG 11 | 8 6 |
| M 20 | | | PG 13,5 | 6 6 |
| | | | PG 16 | 6 4 |
| M 25 | | | PG 21 | 4 3 |
| M 32 | | | PG 29 | 2 1 |
| M 40 | | | PG 36 | 1 1 |
| M 50 | | | PG 42 | |
| M 63 | | | PG 48 | |

TBA 122



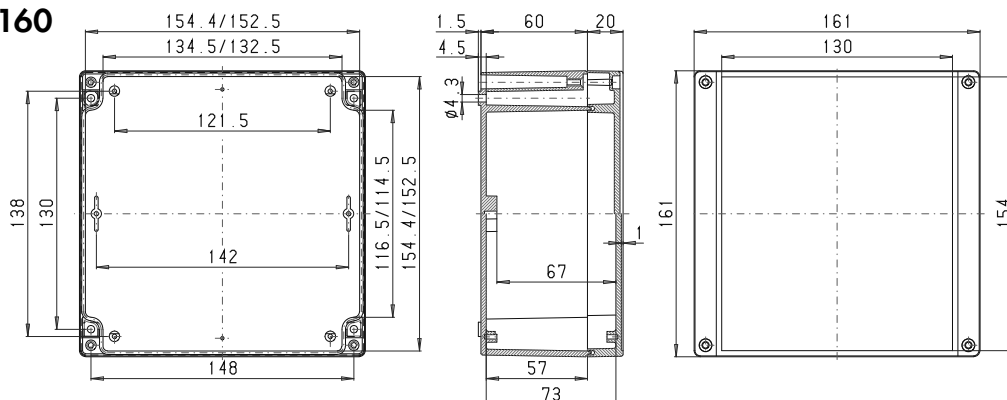
Maximum number of cable glands per enclosure side

| C | A | | A/B/C/D | |
|------|---|---|---------|------|
| | B | D | | |
| | | | PG 7 | 20 8 |
| M 16 | | | PG 9 | 16 6 |
| | | | PG 11 | 12 4 |
| M 20 | | | PG 13,5 | 12 4 |
| | | | PG 16 | 7 3 |
| M 25 | | | PG 21 | 4 2 |
| M 32 | | | PG 29 | 3 1 |
| M 40 | | | PG 36 | |
| M 50 | | | PG 42 | |
| M 63 | | | PG 48 | |

ROLEC Attachment and mounting dimensions

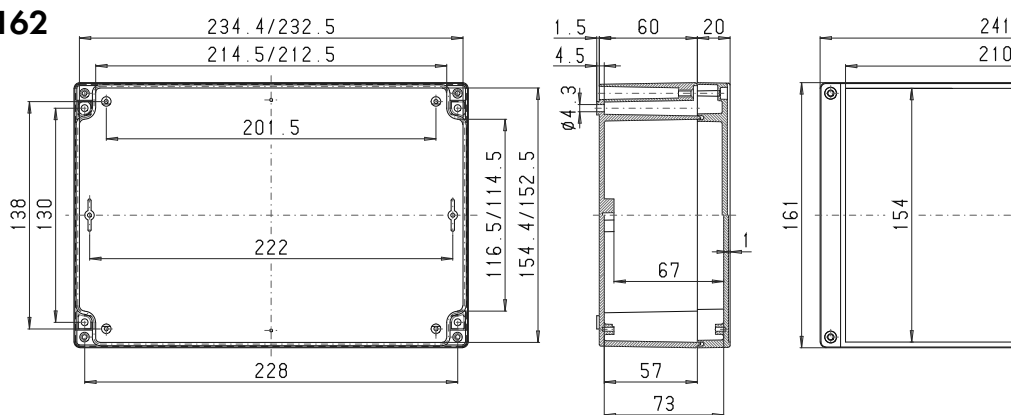
technoBOX

TBA 160



| Maximum number of cable glands per enclosure side | | | |
|---|---------|---------|----|
| C | A | A/B C/D | |
| | B | PG 7 | 18 |
| M 16 | PG 9 | 10 | 8 |
| | PG 11 | 8 | 7 |
| M 20 | PG 13,5 | 6 | 5 |
| | PG 16 | 4 | 4 |
| M 25 | PG 21 | 3 | 3 |
| M 32 | PG 29 | | |
| M 40 | PG 36 | | |
| M 50 | PG 42 | | |
| M 63 | PG 48 | | |

TBA 162



| Maximum number of cable glands per enclosure side | | | |
|---|---------|---------|----|
| C | A | A/B C/D | |
| | B | PG 7 | 30 |
| M 16 | PG 9 | 24 | 8 |
| | PG 11 | 16 | 7 |
| M 20 | PG 13,5 | 16 | 5 |
| | PG 16 | 12 | 4 |
| M 25 | PG 21 | 6 | 3 |
| M 32 | PG 29 | 4 | |
| M 40 | PG 36 | 2 | |
| M 50 | PG 42 | 2 | |
| M 63 | PG 48 | | |