



Our *passion* is enclosures.



aluDISPLAY

Display enclosures made of aluminium profiles

GREATER consideration = GREATER added value



Front plates without visible screws



Simple and quick mounting without dismantling the basic enclosure



Profile for inserted plug-in circuit boards or for mounting components using spring nuts

"Modern design and progressive technology offer the user variable application options. "

GREATER consideration = GREATER added value

aluDISPLAY. The enclosure for electronic controls and operating units with flat modules. Time-saving and easy assembly and disassembly with latching covering profiles. No base body disassembly. Mounted end caps.

The modern enclosure range is available in three different profile widths and lengths in accordance with requirements. Profile for inserted plug-in circuit boards or for mounting components using spring nuts. Variants for suspension system adaption.



Scope of delivery:
Profiles are screwed together
with gaskets and lid.
Front plate included.

Internal guide rails for insertion of PCBs/only
one covering lid has to be removed

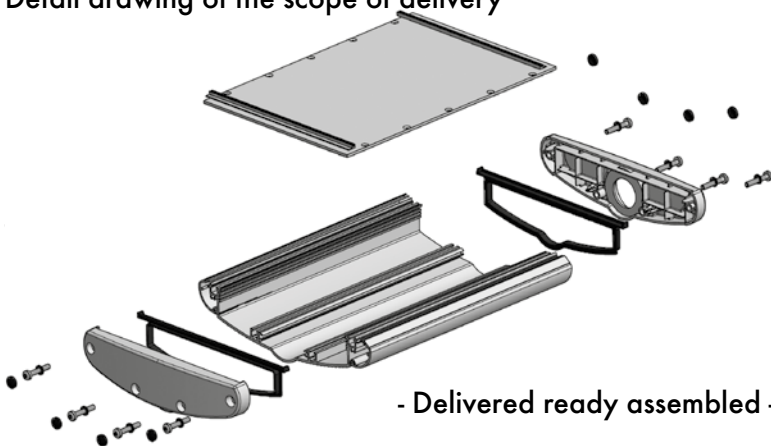
Profiles

Type	Profiles	Version
ADI 180	180 mm	Standard
ADI 180-T	180 mm	Standard
ADI 180-W	180 mm	Standard
ADI 240	240 mm	Standard
ADI 240-T	240 mm	Standard
ADI 240-W	240 mm	Standard
ADI 300	300 mm	Standard
ADI 300-T	300 mm	Standard
ADI 300-W	300 mm	Standard

Example order: ADI 240 x 350*

*Length in mm - per choice

Detail drawing of the scope of delivery



- Delivered ready assembled -



Technical data

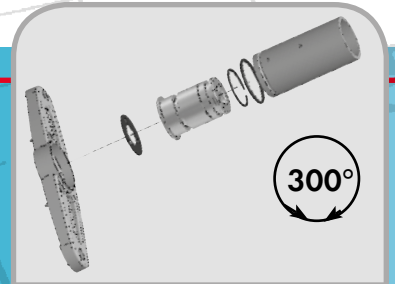
aluDISPLAY

Tube with coupling for suspension system taraPLUS

Version K:



Optionally prepared for assembly on the suspension system



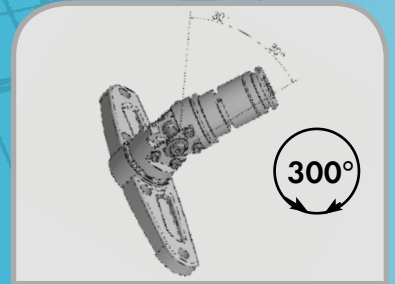
Assembly and rotation range K

Tube with inclination coupling for suspension system taraPLUS

Version NK:



Optionally prepared for assembly on the suspension system



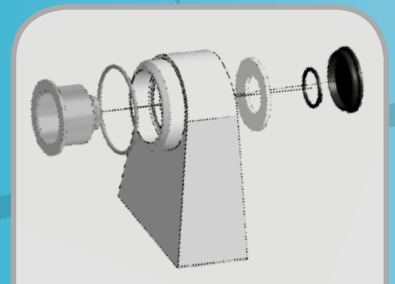
Rotation and pivoting range NK

Rotating brackets for wall or console assembly

Version W:



Optionally prepared for wall or console assembly



Assembly detail W

Enclosure: Extruded aluminium pressed profile AL Mg Si 0.5 / DIN 17615 with 2 variants of the end cover, cast aluminium alloy EN AC-44300 DIN EN 1706 (GD Al Si 12 / DIN 1725)

Ingress protection: IP54 / EN 60529

End cover gasket: TPE moulded gasket, silicon-free (-30°C to +100°C)

Profile gasket: Chloroprene (CR) gasket (-30°C to +90°C)

Lid screws: Stainless steel 1.4567 (V2A)

End cover surface: Power coating, RAL 9005, deep black

Profile surface: Anodised silver

Coupling tube: Powder coating, RAL 7035, light grey.

Optionally available:

Coupling variants: Coupling with tube (K tube)
Inclination coupling with tube (NK tube)

End cover surface: Special colours

Further options, see delivery overview.



Delivery overview
aluDISPLAY

Type	Length	Mat. no.
K tube	250 mm	144.400.250
K tube	500 mm	144.400.500
K tube	750 mm	144.400.750
K tube	1,000 mm	144.401.000

Scope of delivery:

Rotary coupling is mounted to the tube. Fastening by means of 4 screws on the cover.

Example order: ADI 240-T x 350*+ K-tube 500

*Length in mm - per choice

Type	Length	Mat. no.
NK tube	250 mm	144.410.250
NK tube	500 mm	144.410.500
NK tube	750 mm	144.410.750
NK tube	1,000 mm	144.411.000

Scope of delivery:

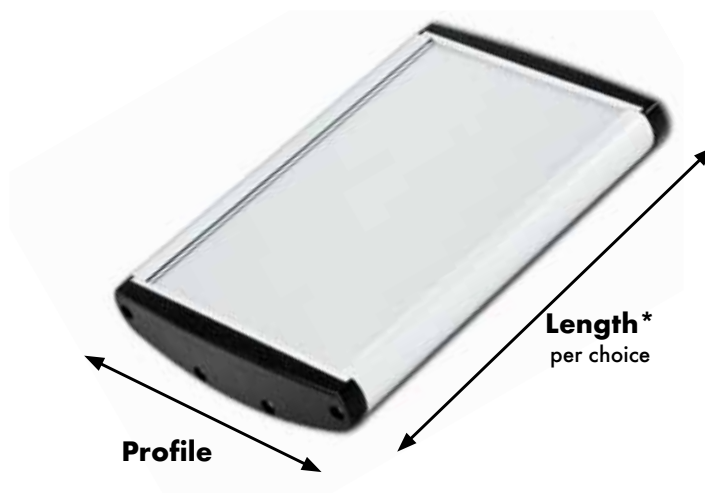
Inclination coupling is mounted to the tube. Fastening by means of 4 screws on the cover.

Type	Profile
ADI 180-W	180 mm
ADI 240-W	240 mm
ADI 300-W	300 mm

Scope of delivery:

Profile is mounted with wall/console bracket on the cover.

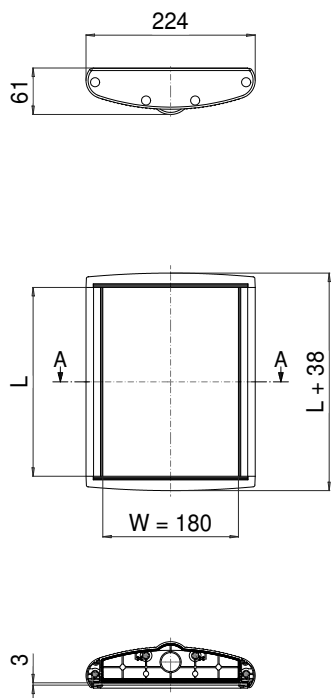
Approvals:



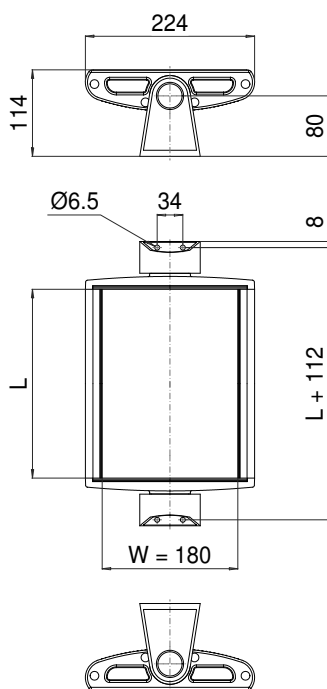
ROLEC Attachment and mounting dimensions

alU**DISPLAY**

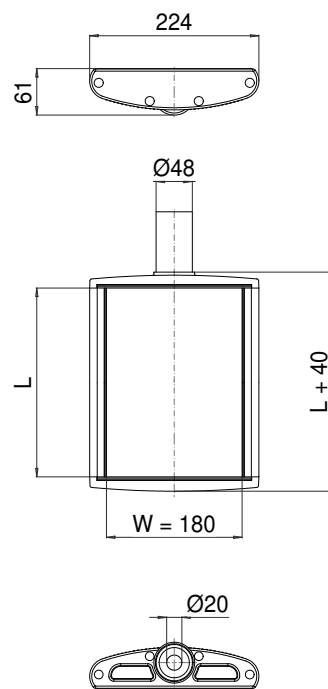
ADI 180



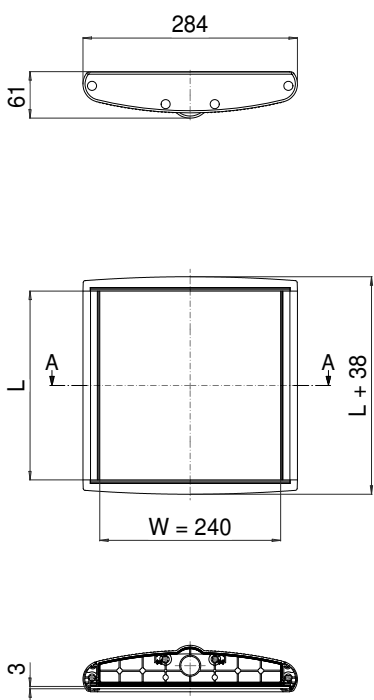
ADI 180-W



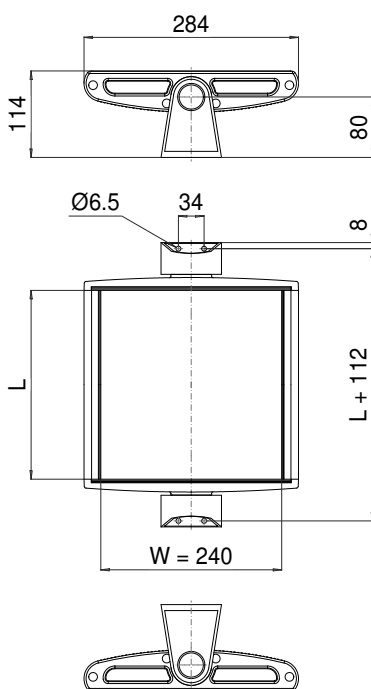
ADI 180-T



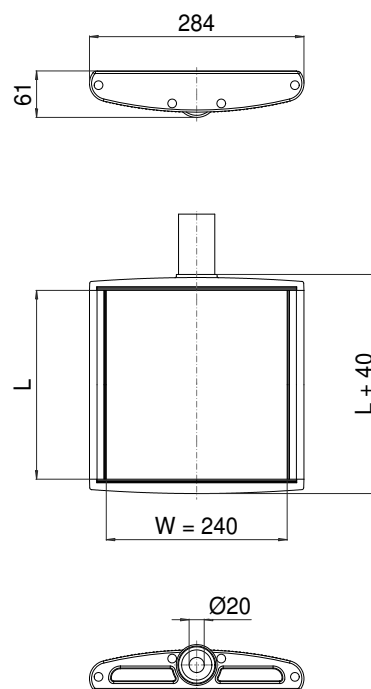
ADI 240



ADI 240-W



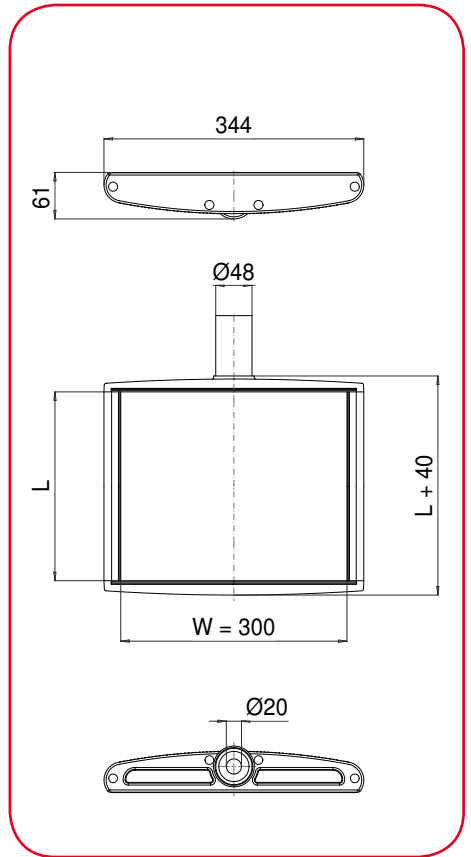
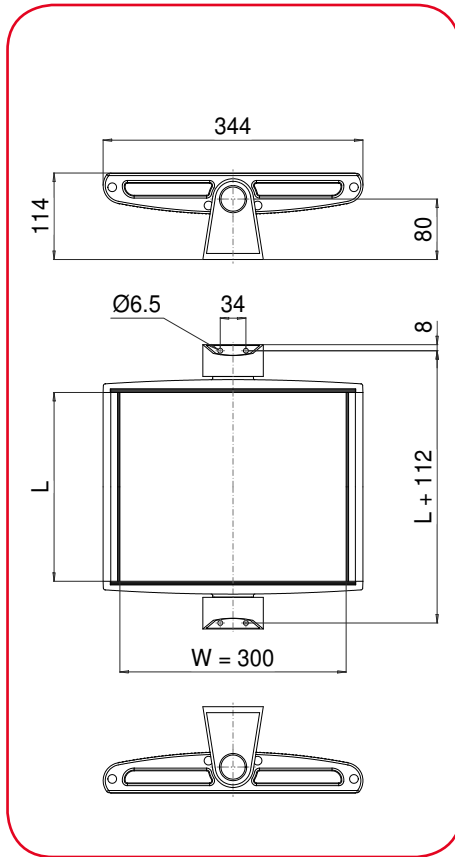
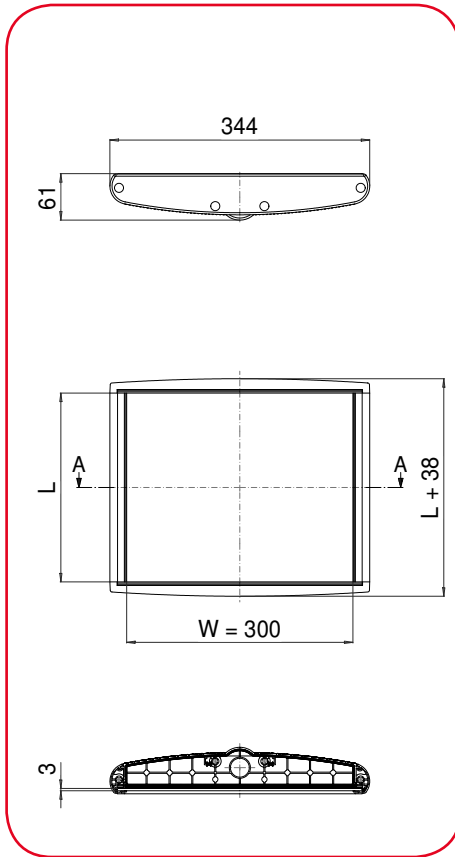
ADI 240-T



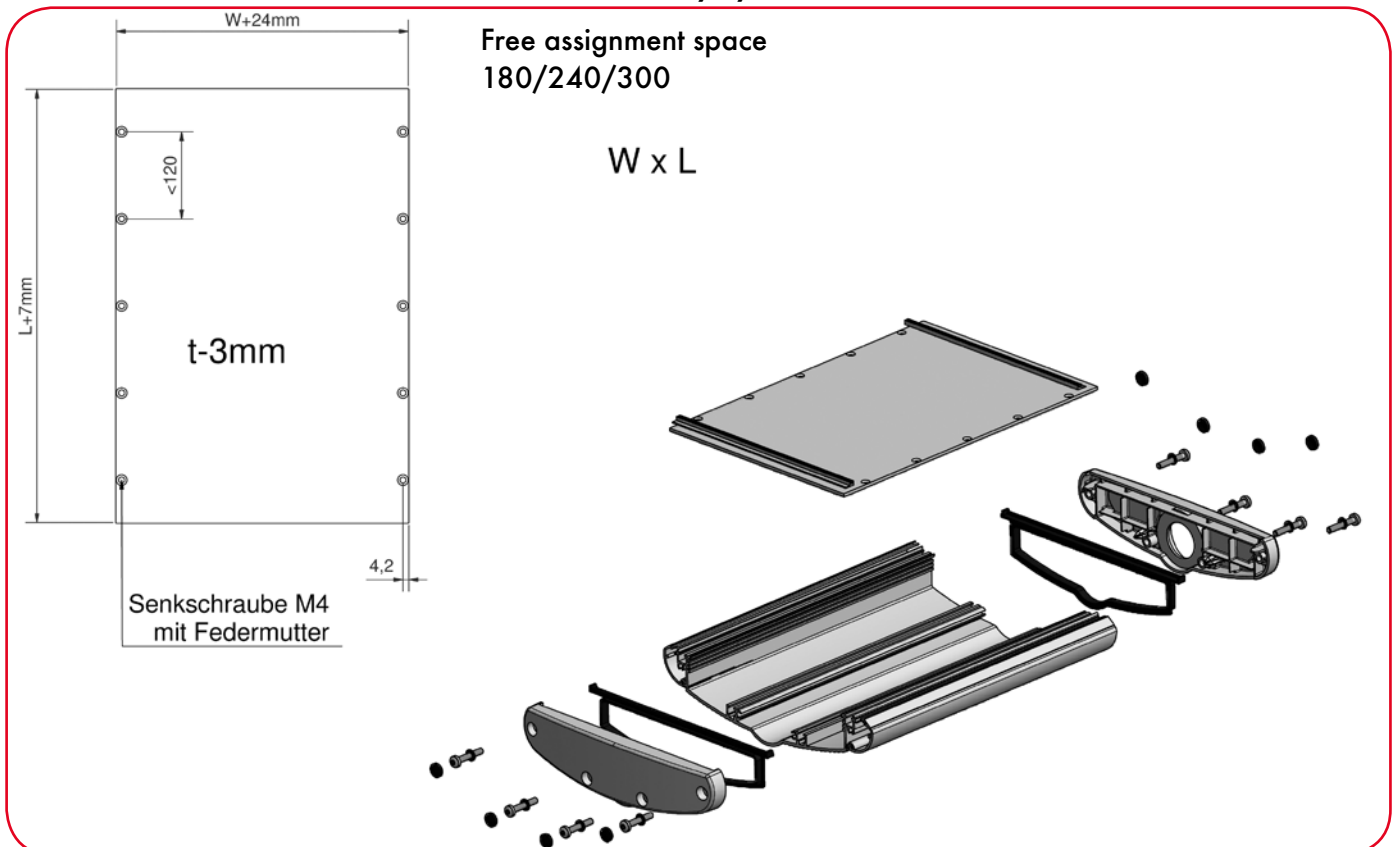
ADI 300

ADI 300-W

ADI 300-T



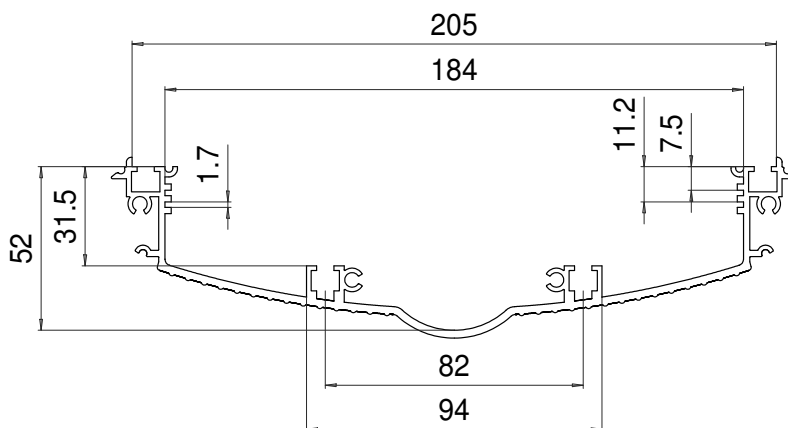
Preassembly by ROLEC



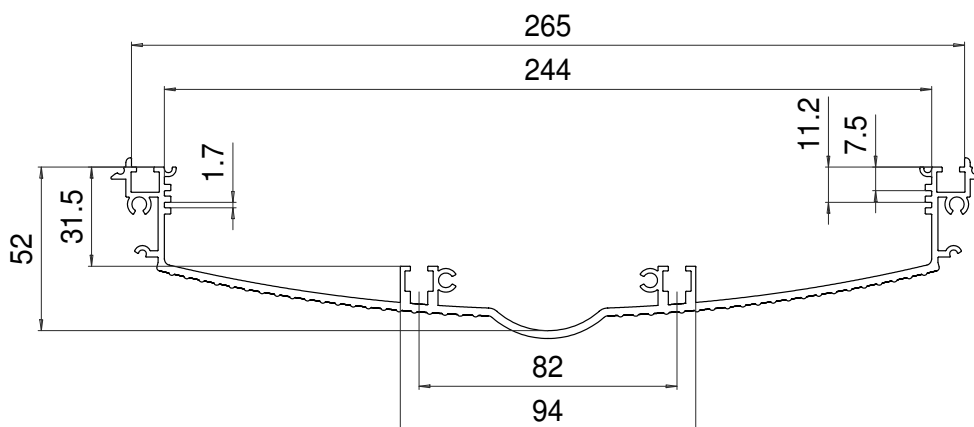
ROLEC Attachment and mounting dimensions

aluDISPLAY

Profil ADI 180



Profil ADI 240



Profil ADI 300

