



Our *passion* is enclosures.



topVISION

Ergonomic command enclosures
Sheet steel body with aluminium front frame

Technical data

topVISION



Enclosure: Sheet steel, pre-galvanised

Front frame: Corner pieces die-cast zinc, (Zn Al 4 Cu 1) aluminium profile, (Al Mg Si 0.5)

Assembly option: Fastening thread M5

Front plate: Aluminium 3mm, Al Mg 1, silver anodised

Ingress protection: IP54 / EN 60529

Gasket: Profile gasket U-shape (EPDM) (-40°C to +90°C)

Closure: Lock and hinge, narrow side (side W)

Front frame surface: Powder coating RAL 7040, window grey

Enclosure surface: Powder coating RAL 7035, light grey

Optionally available:

Fastening: Suspension system taraPLUS or Quadro 50-60-80, including reinforcement plate

Mounting plates: Sheet steel, galvanised

Handle system: Steel tube, powder coated, RAL 3020, traffic red, RAL 9005, deep black

Closure: Lock and hinge, long side (side L)

Surface: Corrosion protection, special colours

Further options, see delivery overview.



Delivery overview topVISION

Type	Mat. no.	L	W	H	g	M	S	DV	W	X	Y	Z	I
TV 202	150.202.000	300	200	201	5.260	●	□	□	●	●	●	●	●
TV 204	150.204.000	400	200	201	6.170	●	□	□	●	●	●	●	●
TV 240	150.240.000	240	240	201	5.040	●	□	□	●	●	●	●	●
TV 242	150.242.000	360	240	201	6.310	●	□	□	●	●	●	●	●
TV 244	150.244.000	480	240	201	7.600	●	□	□	●	●	●	●	●
TV 320	150.320.000	320	320	201	6.340	●	□	□	●	●	●	●	●
TV 322	150.322.000	480	320	201	8.820	●	□	□	●	●	●	●	●
TV 324	150.324.000	640	320	201	10.830	●	□	□	●	●	●	●	●
TV 400	150.400.000	400	400	251	10.830	●	□	□	●	●	●	●	●
TV 402	150.402.000	600	400	251	13.100	●	□	□	●	●	●	●	●

□ Standard ● Available ○ Not available

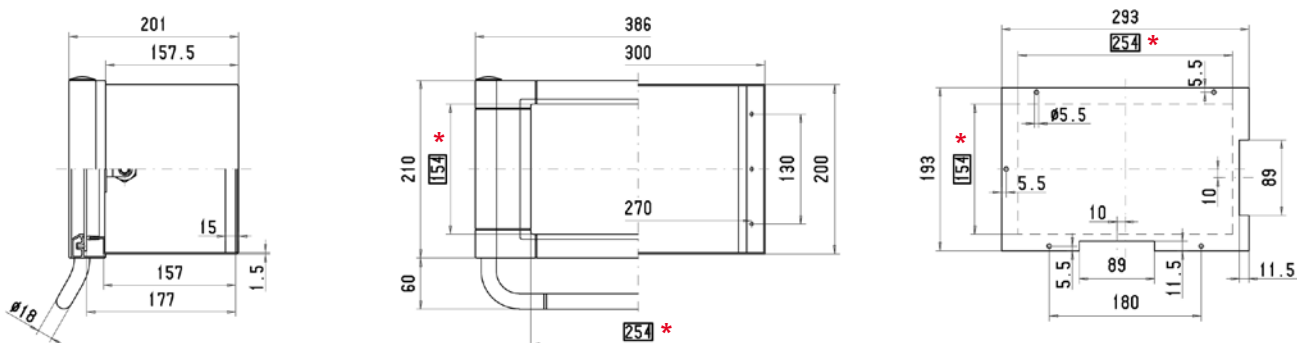
Approvals:



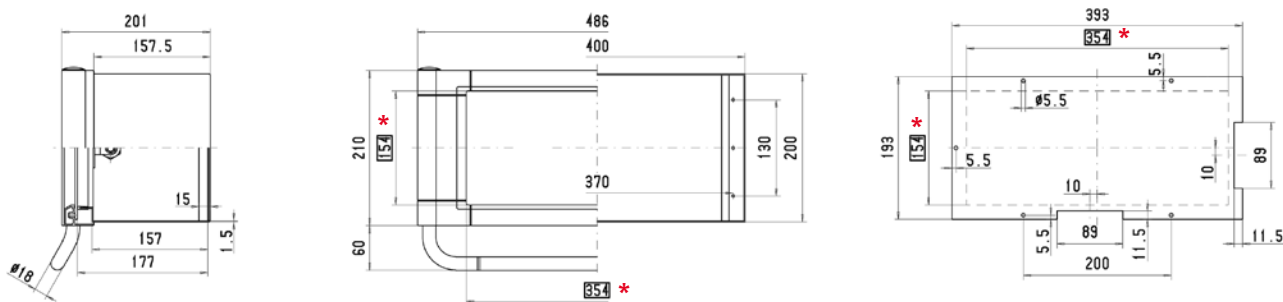
ROLEC Attachment and Mounting dimensions

topVISION

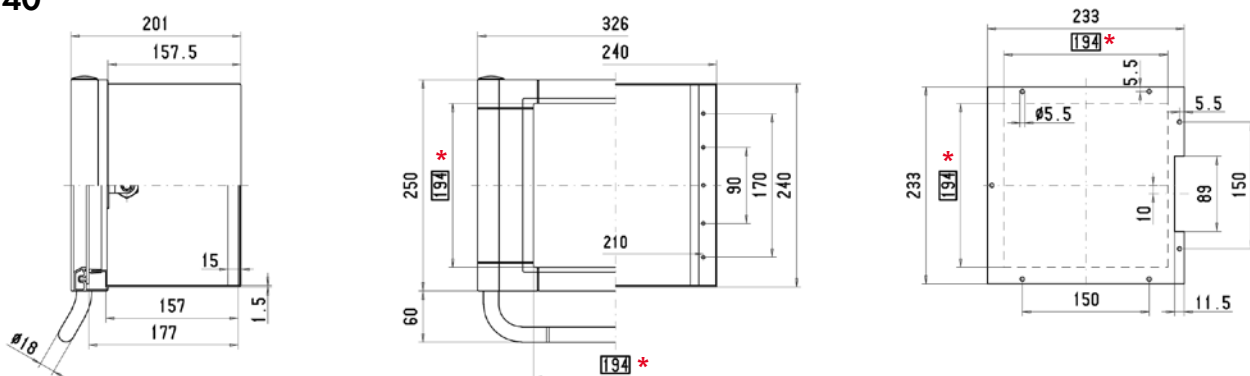
TV 202



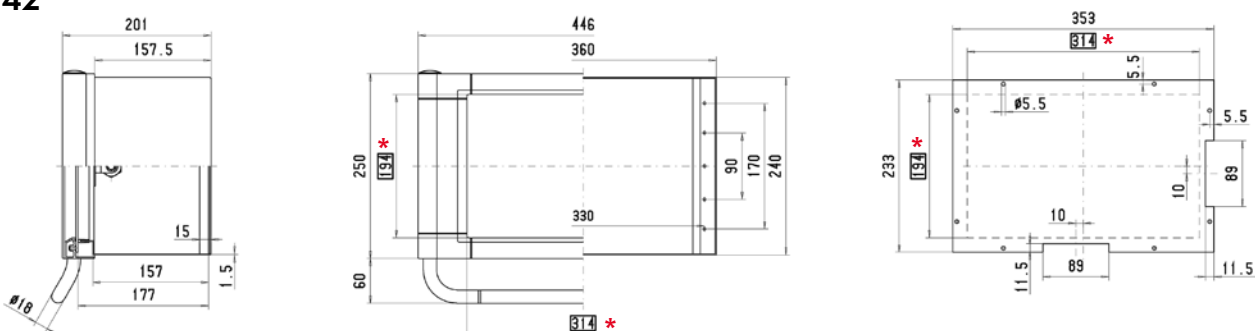
TV 204



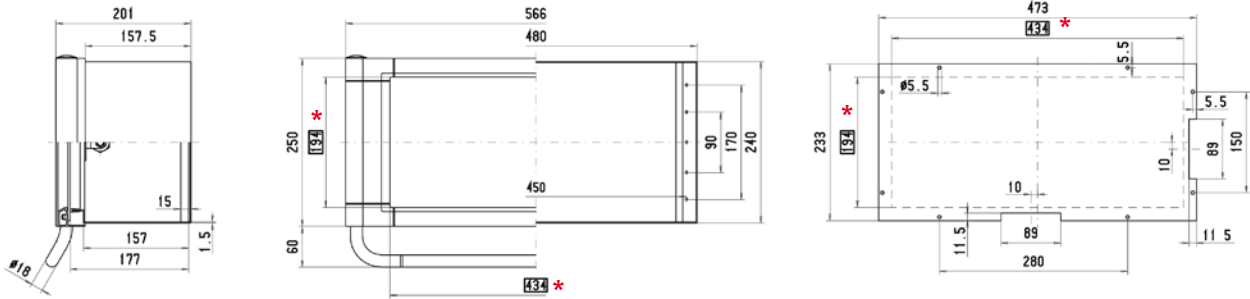
TV 240



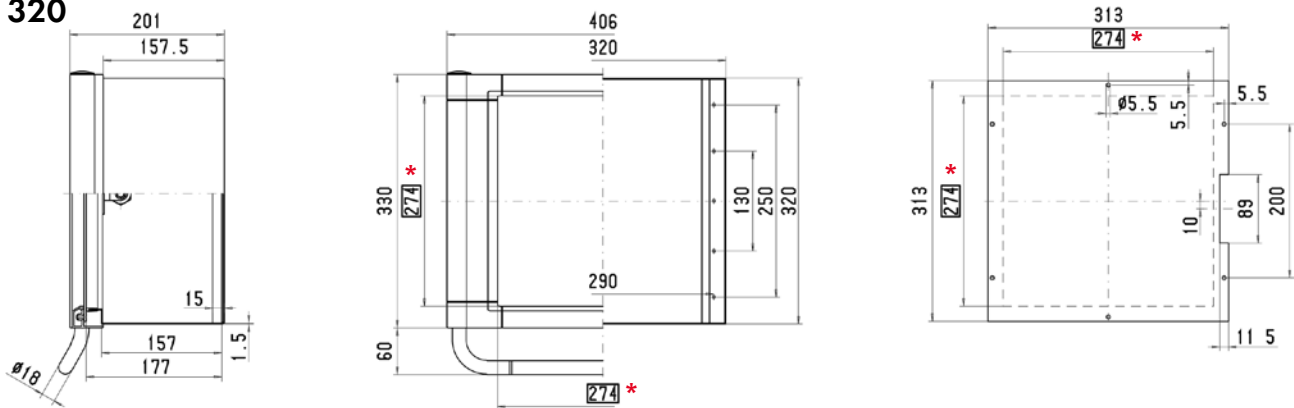
TV 242



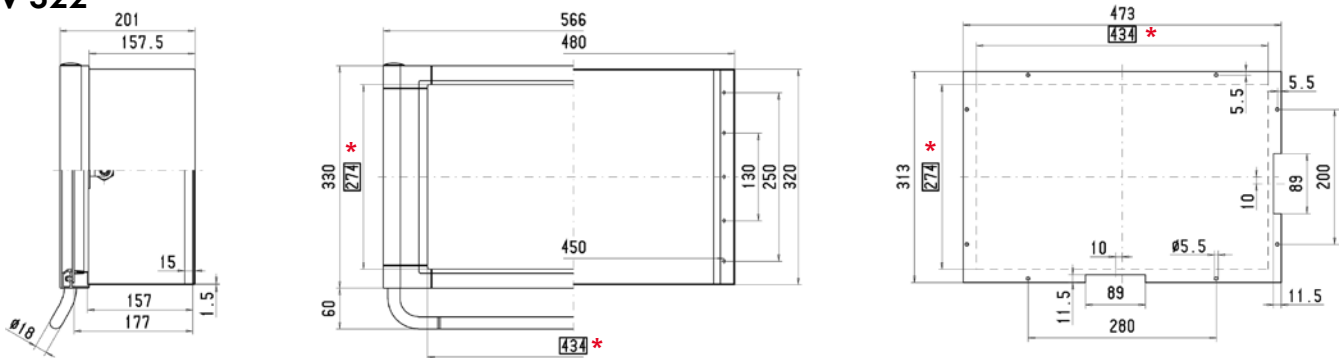
TV 244



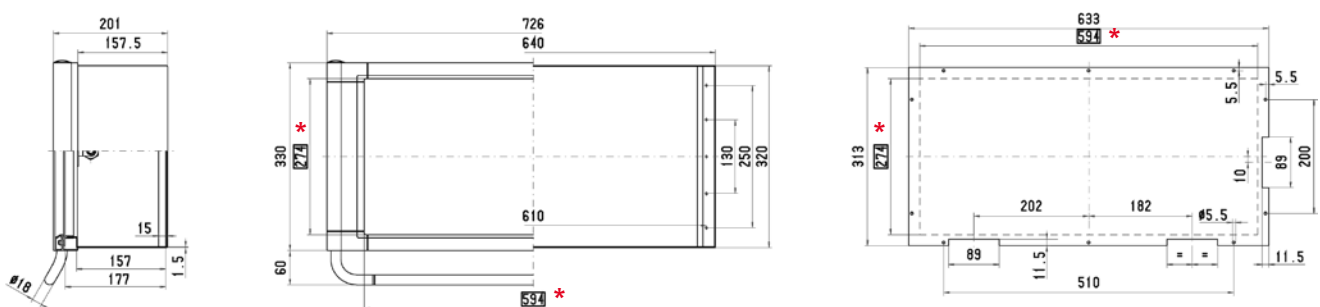
TV 320



TV 322



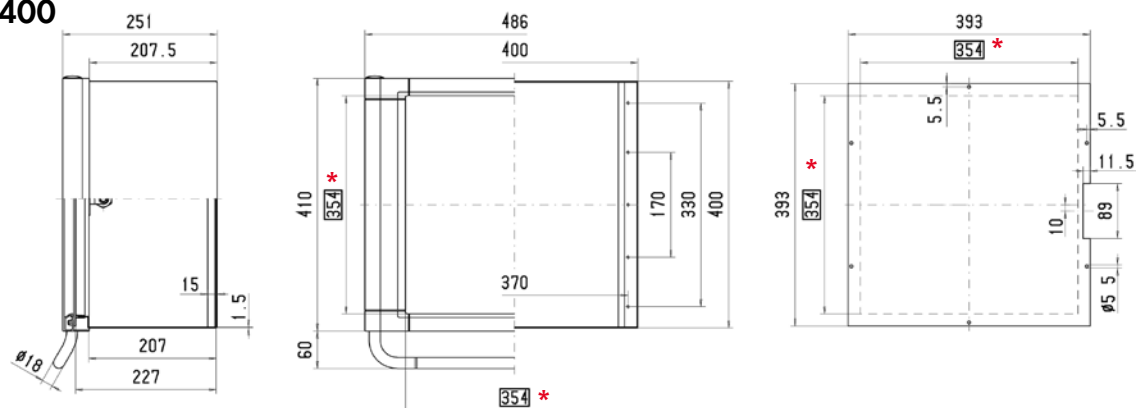
TV 324



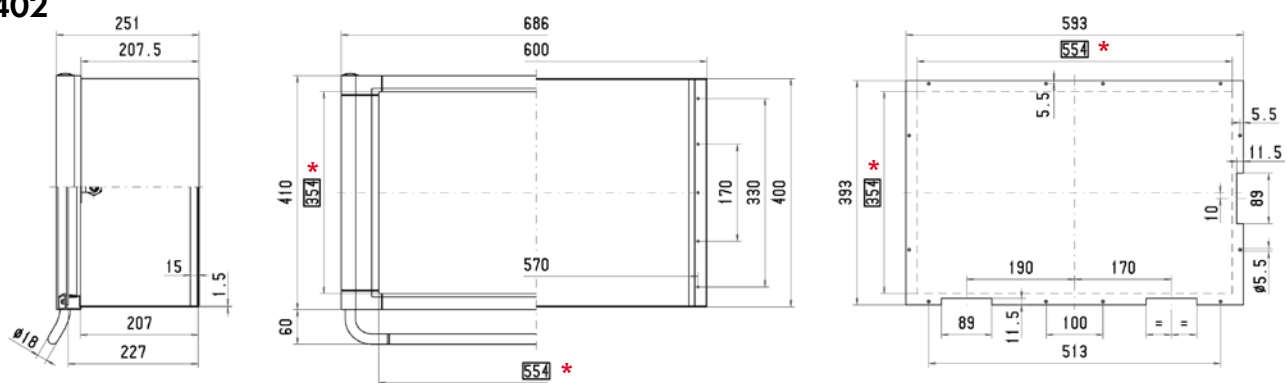
ROLEC Attachment and Mounting dimensions

topVISION

TV 400



TV 402



* **554** Dimensions in frame > visible front surface