



Our *passion* is enclosures.

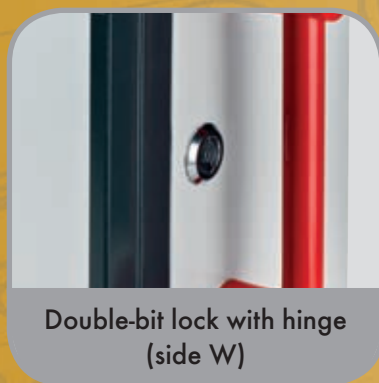


staKOM

Command enclosures
Sheet steel body with aluminium front frame

Technical data

staKOM



Enclosure: Sheet steel, pre-galvanised

Front frame: Corner pieces die-cast zinc, (Zn Al 4 Cu 1) aluminium profile, (Al Mg Si 0.5)

Mounting option: Fastening thread M5

Front plate: Aluminium 3mm, Al Mg 1, silver anodised

Ingress protection: IP54 / EN 60529

Gasket: Profile gasket U-shape (EPDM) (-40°C to +90°C)

Closure: Lock and hinge, narrow side (side W)

Front frame surface: Powder coating RAL 7016, anthracite grey

Enclosure surface: Powder coating RAL 7035, light grey

Optionally available:

Fastening: Suspension system taraPLUS or Quadro 50-60-80, including strengthening plate

Mounting plates: Sheet steel, galvanised

Handle system: Steel tube, powder coated, RAL 3020, traffic red, RAL 9005, deep black

Closure: Lock and hinge, long side (side L)

Surface: Corrosion protection, special colours

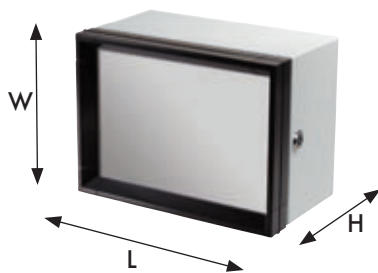
Further options, see delivery overview.

Delivery overview staKOM

Type	Mat. no.	L	W	H	g							
SK 242	160.242.000	360	240	201	6.310	<input type="checkbox"/>	<input type="checkbox"/>	<input checked="" type="checkbox"/>	<input checked="" type="checkbox"/>	<input checked="" type="checkbox"/>	<input checked="" type="checkbox"/>	<input checked="" type="checkbox"/>
SK 244	160.244.000	480	240	201	7.600	<input type="checkbox"/>	<input type="checkbox"/>	<input checked="" type="checkbox"/>	<input checked="" type="checkbox"/>	<input checked="" type="checkbox"/>	<input checked="" type="checkbox"/>	<input checked="" type="checkbox"/>
SK 320	160.320.000	320	320	201	6.340	<input type="checkbox"/>	<input type="checkbox"/>	<input checked="" type="checkbox"/>	<input checked="" type="checkbox"/>	<input checked="" type="checkbox"/>	<input checked="" type="checkbox"/>	<input checked="" type="checkbox"/>
SK 322	160.322.000	480	320	201	8.820	<input type="checkbox"/>	<input type="checkbox"/>	<input checked="" type="checkbox"/>	<input checked="" type="checkbox"/>	<input checked="" type="checkbox"/>	<input checked="" type="checkbox"/>	<input checked="" type="checkbox"/>
SK 400	160.400.000	400	400	251	10.830	<input type="checkbox"/>	<input type="checkbox"/>	<input checked="" type="checkbox"/>	<input checked="" type="checkbox"/>	<input checked="" type="checkbox"/>	<input checked="" type="checkbox"/>	<input checked="" type="checkbox"/>
SK 402	160.402.000	600	400	251	13.100	<input type="checkbox"/>	<input type="checkbox"/>	<input checked="" type="checkbox"/>	<input checked="" type="checkbox"/>	<input checked="" type="checkbox"/>	<input checked="" type="checkbox"/>	<input checked="" type="checkbox"/>

Standard Available Not available

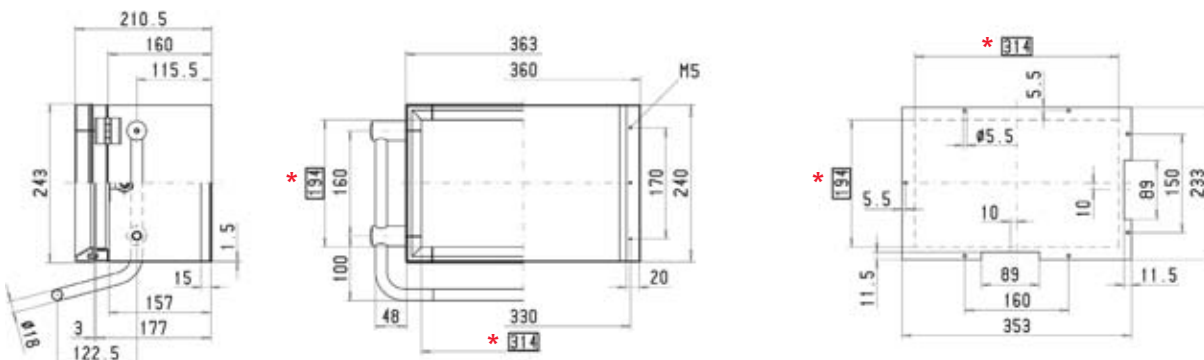
Approvals:



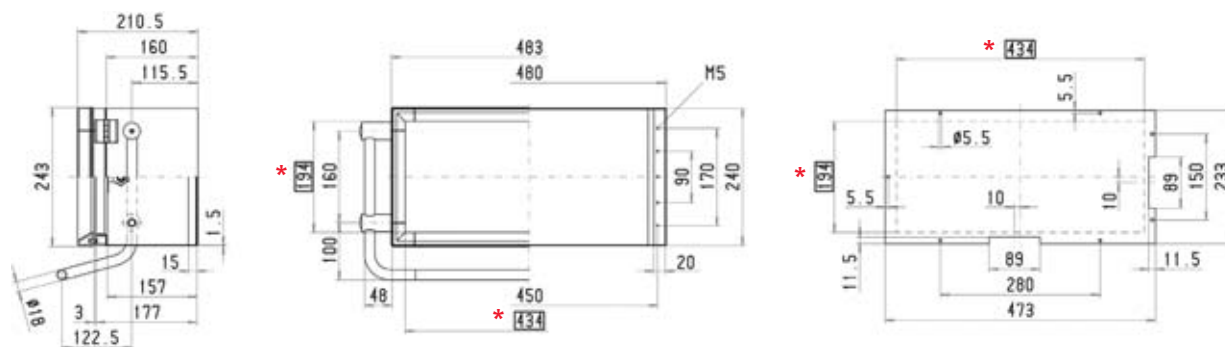
ROLEC Attachment and Mounting dimensions

staKOM

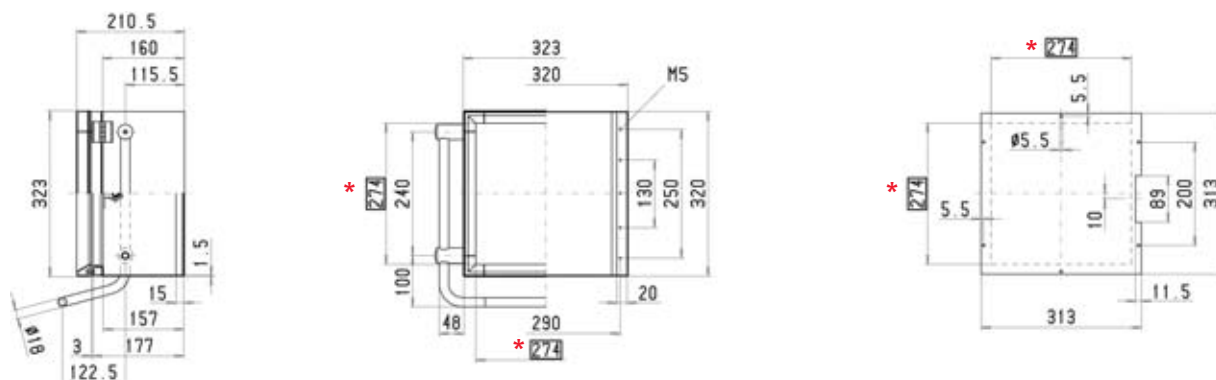
SK 242



SK 244



SK 320



SK 322

