

New Enclosure Solutions



handCASE

Additional dimensions - Design variation R



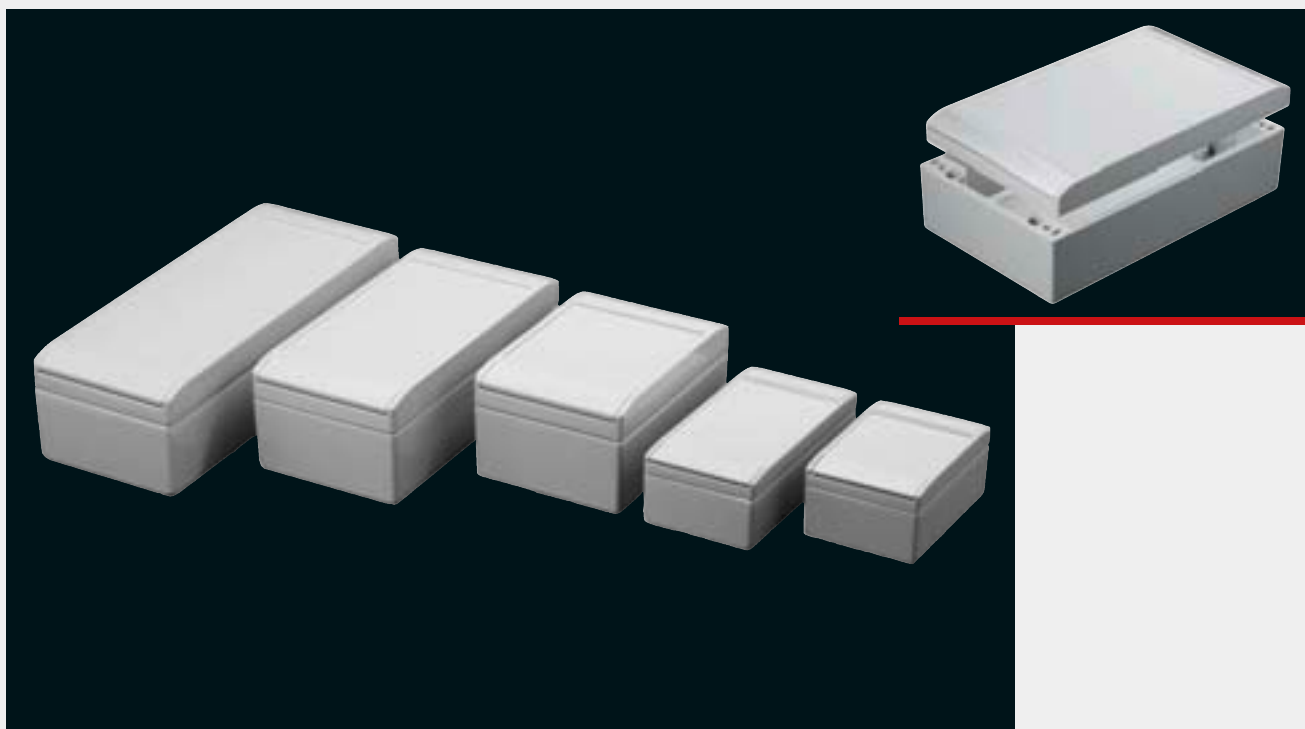
aluCASE

Additional dimensions - 2 sizes with transparent lid

aluCASE

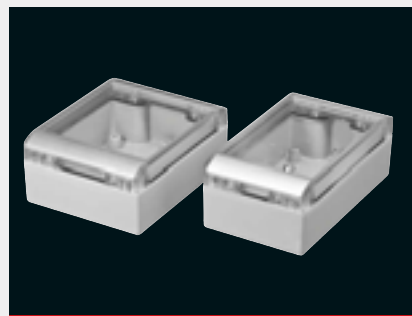
New additional dimensions and 2 enclosure sizes with transparent lid

- Unrivalled design
- Integrated recesses for membrane keypads
- Design covers for perfect appearance
- Integrated lid supports
- Fastening for closed enclosures
- **Now available in 22 sizes from 50 x 75 x 33 mm to 200 x 330 x 120 mm**



Range overview of new sizes

Type	Mat.-No.	W	L	H	D	E	g
AC 052	191.052.000	50	75	33	61	34	134
AC 054	191.054.000	50	100	33	86	34	166
AC 070	191.070.000	70	100	50	84	33	328
AC 072	191.072.000	70	140	50	124	33	411
AC 074	191.074.000	70	180	50	164	33	495
AC 092	191.092.000	90	160	60	142	40	680
AC 094	191.094.000	90	250	60	232	40	861
ACF 110	190.110.000	110	140	60	122	60	700
AC 200	191.200.100	200	230	120	212	144	2.005
AC 202	191.202.100	200	330	120	312	144	2.328



Even with transparent lid available:
AC 092 and ACF 110

handCASE *R

Die-cast aluminium enclosure - * design variation R

- Unique hand enclosure system made of die-cast aluminium
- For industrial applications requiring strength and sealing qualities
- Protective recess for membrane keypads
- Integrated battery power supply for wireless applications
- Available in 4 different variations from 180 x 80 x 42 mm to 220 x 100 x 62 mm



Range overview of new sizes

Type	Mat.-No.
handCASE HCF 080 R	272.080.000
handCASE HCF 081 R*	272.081.000
handCASE HCF 100 R	272.100.000
handCASE HC 100 R*	273.100.000

* without battery compartment



Individual adaptation

We can carry out cost effective modifications to suit your individual design requirements.

We are fully equipped to realise any modifications thanks to our CNC milling machines and modern paint line. We deliver "just in time".



Drilling
Milling
Powder coating
Lacquering
Engraving
Silk-screen printing
Fitting
Assembling
Packaging



ROLEC Gehäuse-Systeme GmbH
Kreuzbreite 2
31737 Rinteln

Fon +49 (0) 57 51 - 4003 - 0
Fax +49 (0) 57 51 - 4003 - 50
info@rolec.de
www.rolec.de