



Our *passion* is enclosures.



# aluDISC

The round enclosure. Roundly complete.

# Technical data

## aluDISC



Integrated recesses for membrane keypads



Enclosure fixing with closed lid



Design covers for the perfect look



Economical lid support



Mounting standoffs in the bottom section and in the lid



Covers from transparent polycarbonate as protection

**Enclosure:** Die-cast aluminium EN AN-44300 DIN EN 1706 (GD AL SI 12 / DIN 1725) 1° mould slope for casting ejection, internal measures diminishing circulatory towards enclosure bottom by 1°

**Integrated recess:** In the lid for membrane keypad or front plates

**Internal mounting:** Mounting standoffs in the bottom section and in the lid

**Ingress protection:** IP66 / EN 60529, IP 67 / EN 60529

**Gasket:** Silicone gasket (-50°C bis +140°C)

**Lid screws:** Stainless steel 1.4567 (V2A), captive

**Clip-on design cover:** Plastic polyoxymethylene (POM) in RAL 7016, anthracite grey

**Surface:** Powder coating in RAL 7035, light grey

### Optionally available:

**Cover:** Cover with hinge mechanism from transparent polycarbonate (PC) UV-stabilised, sealable. UL 94 V-2 - 0.36 ~ 1.9 mm, HB > 1.9 mm

**Lid support:** Screw hinge, lid screw with plastic element from stainless steel 1.4567 and polyamide (PA6)

**Ingress protection:** IP69K / DIN 40050

**Gasket:** EMC gasket (-55°C to +160°C)

**Surface:** Corrosion protection, special colours

**Further options, see delivery overview.**

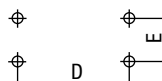
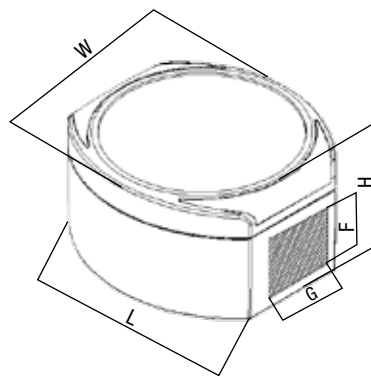
Range overview aluDISC															
Type	Mat.-Nr.	L	W	H	D	E	F	G	g	M	EMV	MH	T	ID	PLUS
AR 080	280.080.000	110	97	55	89,8	45,2	27,5	12,5	410	●	●	●	●	□	●
AR 100	280.100.000	130	119	65	99,4	68,4	40,5	27,5	590	●	●	●	●	□	●
AR 120	280.120.000	150	139	80	116,5	80	55,5	40	820	●	●	●	●	□	●
AR 160	280.160.000	190	179	90	155,5	99	65,5	57,5	1190	●	●	●	●	□	●

□ Standard ● Available ○ Not available

Approvals:



Extended approvals:



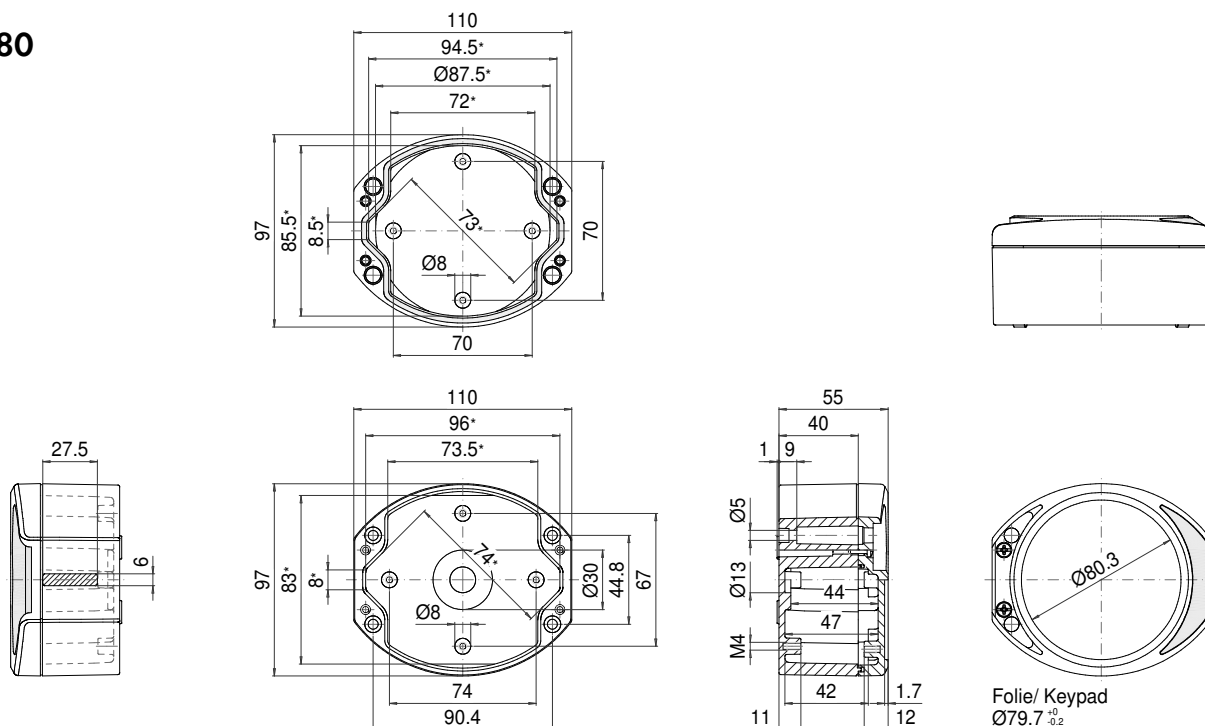
Mounting dimensions



# ROLEC Attachment and mounting dimensions

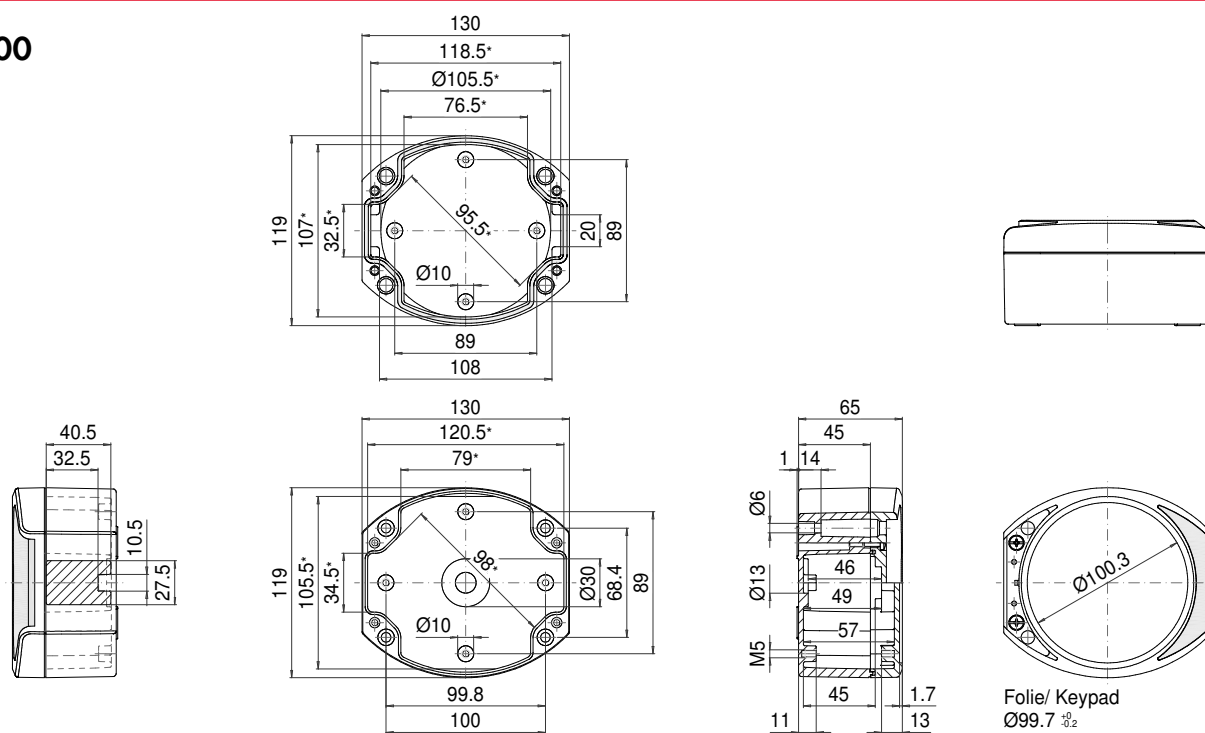
## aluDISC

### AR 080



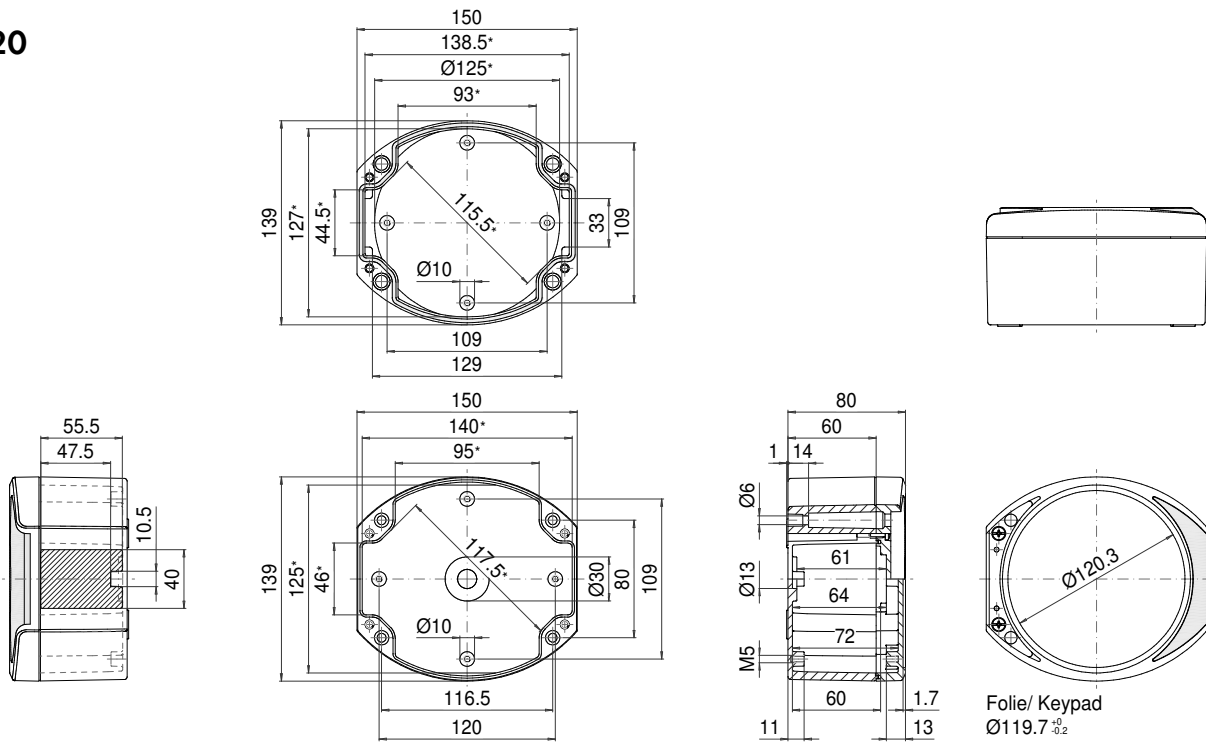
\* Please note: Mould slope for casting ejection, dimensions in the amount of the bottom!

### AR 100



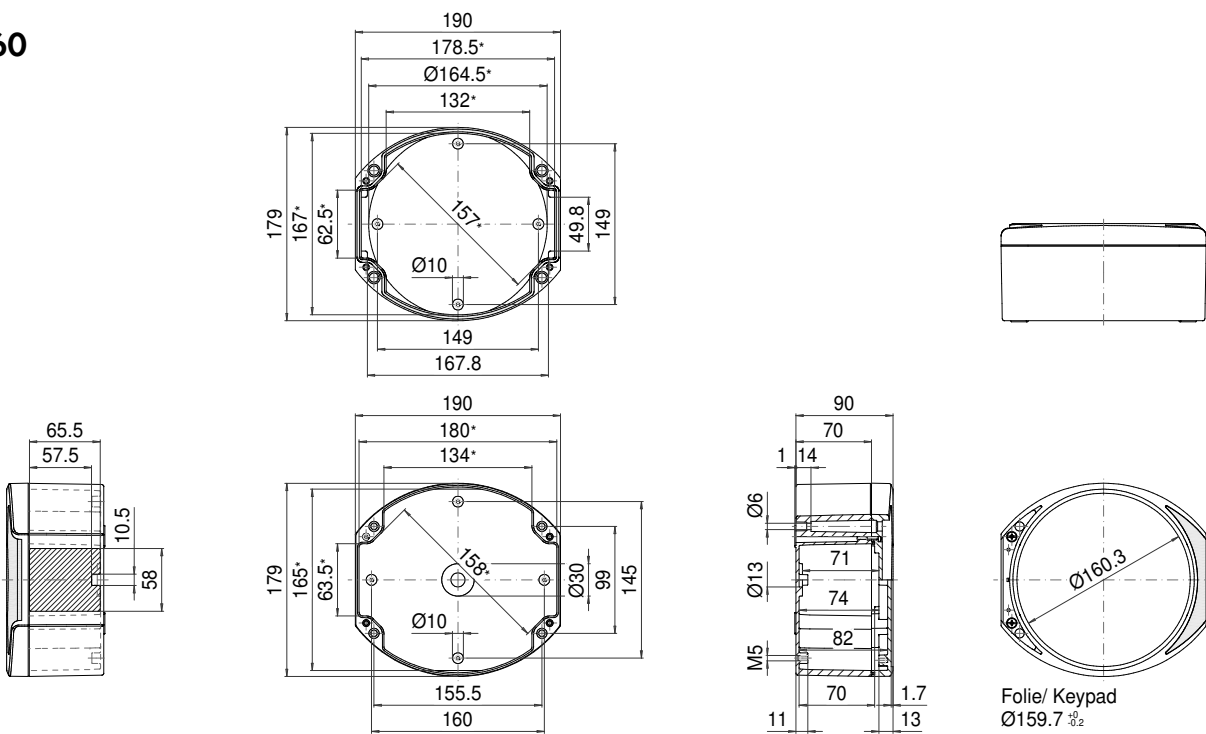
\* Please note: Mould slope for casting ejection, dimensions in the amount of the bottom!

### AR 120



\* Please note: Mould slope for casting ejection, dimensions in the amount of the bottom!

### AR 160



\* Please note: Mould slope for casting ejection, dimensions in the amount of the bottom!

